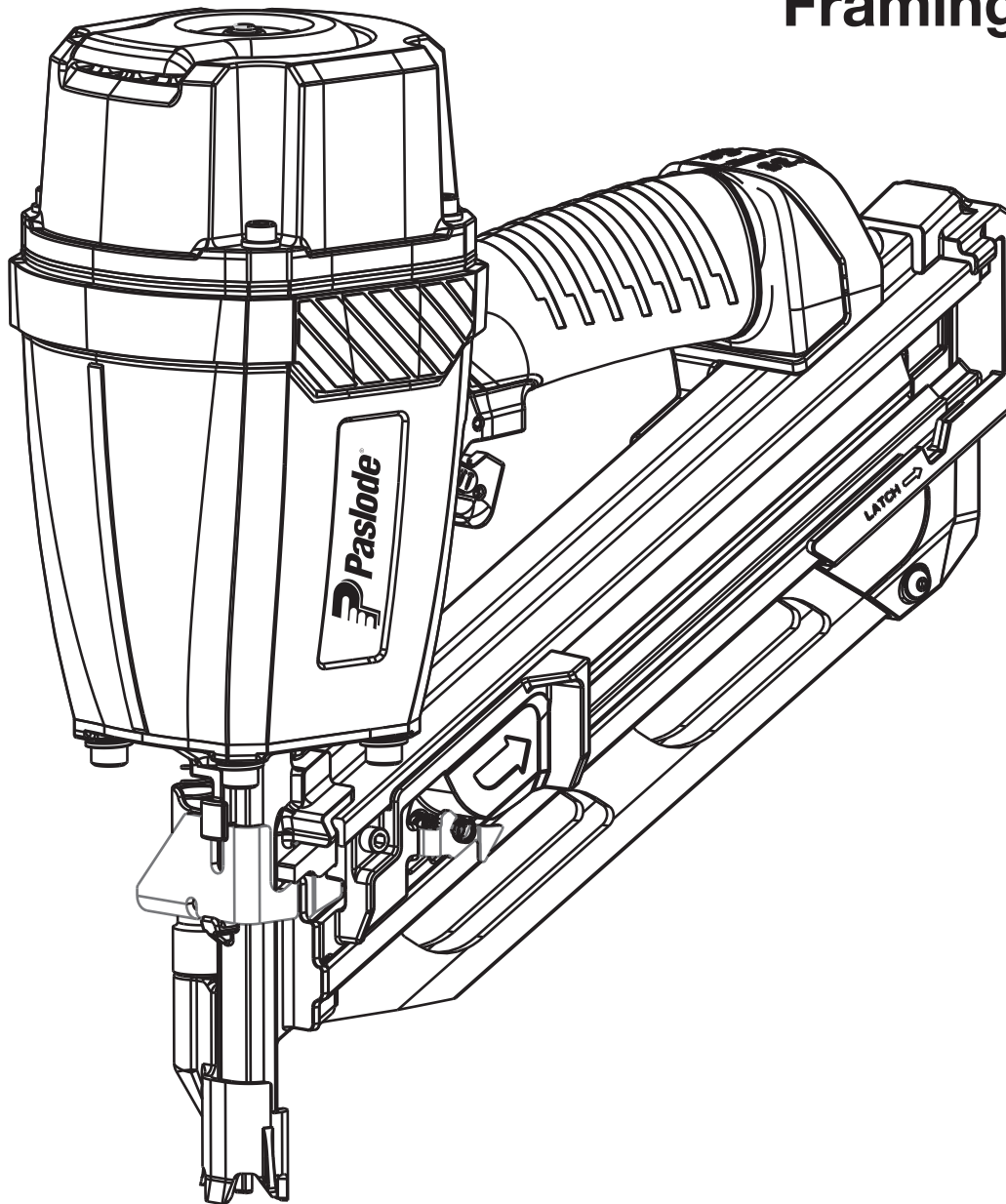




MODEL F325R

Framing Nailer



IMPORTANT DO NOT DESTROY

It is the customer's responsibility to have all operators and service personnel read and understand this manual.

OPERATING MANUAL AND SCHEMATIC

INTRODUCTION

The Paslode® F325R remodeling framing nailer is a quality-built tool designed for use in residential framing applications. This tool will deliver efficient, dependable performance when used according to the manufactures guidelines. Please study this manual including the safety instructions to fully understand the operation of this tool.

TOOL AND FASTENER SPECIFICATIONS	3
SAFETY INSTRUCTIONS	4
TOOL INSTALLATION AND OPERATION	5-6
AIR SYSTEMS	7-8
FEATURES AND BENEFITS	9
EXPLODED VIEW AND SPARE PARTS LIST	10-11
MAINTENANCE	12-13
TROUBLESHOOTING	14
WARRANTY	15
ACCESSORIES	16

TOOL AND FASTENER SPECIFICATIONS

TOOL SPECIFICATIONS

MODEL NO.	F325R (Part# 513000)
HEIGHT	12.9"
WIDTH	4.3"
LENGTH	12.3"
WEIGHT	7 lbs.
OPERATING PRESSURE	90 to 120 p.s.i. (6.2 to 8.3 bar)
MAGAZINE TYPE	30 degree, Single Strip

FASTENER SPECIFICATIONS

NAIL LENGTH	2" - 3-1/4"
SHANK DIAMETER	.113" - .131"

TOOL AIR FITTINGS:

This tool uses a 3/8" N.P.T. male plug. The fitting **must** be capable of discharging tool air pressure when disconnected from the air supply.

OPERATING AIR PRESSURE:

90 to 120 p.s.i. (6.2 to 8.3 bar). Select the operating air pressure within this range for best tool performance.

DO NOT EXCEED THIS RECOMMENDED OPERATING PRESSURE.

SAFETY INSTRUCTIONS

SAFETY FIRST

These safety instructions provide information necessary for safe operation of Paslode® framing tools. **DO NOT ATTEMPT TO OPERATE THE TOOL UNTIL YOU READ AND UNDERSTAND ALL SAFETY PRECAUTIONS AND MANUAL INSTRUCTIONS.**



WEAR EYE AND HEARING PROTECTION

Always wear hearing and eye protection devices, that conform to ANSI Z87+ requirements, when operating or working in the vicinity of a tool. As an employer you are responsible for enforcing the use of eye protection. Wear hard hats in environments that require their use.

THE TOOL MUST BE USED ONLY FOR THE PURPOSE FOR WHICH IT WAS DESIGNED

Do not throw the tool on the floor, strike the housing in any way or use the tool as a hammer to knock material into place.

NEVER ENGAGE IN HORSEPLAY WITH THE TOOL

The tool is not a toy so do not use it like one. Never engage in horseplay with the tool or point it at yourself or any other person, even if you think it is not loaded.

NEVER ASSUME THE TOOL IS EMPTY

Check the magazine for fasteners that may be left in the tool. Even if you think the tool is empty or disconnected, never point it at anyone or yourself. Unseen fasteners could fire from the tool.

NEVER CLAMP THE TRIGGER IN A LOCKED OR OPERATING POSITION

The trigger of the tool must never be tampered with, disabled or clamped in a locked or operating position since this will cause the tool to drive a fastener any time the work contacting element depressed.

DO NOT LOAD FASTENERS WITH THE AIR LINE CONNECTED, OR WITH THE TOOL TRIGGER OR WORK CONTACTING ELEMENT DEPRESSED

When loading fasteners into the tool be sure you disconnect the air line and that you do not depress the trigger or work contacting element.



OPERATE THE TOOL ONLY ON A WORKPIECE

The tool should be operated only when it is in contact with the workpiece. Even then you should be careful when fastening thin material or working near the edges and corners of the workpiece since the fasteners may drive through or away from the workpiece.

DO NOT DISABLE OR REMOVE THE WORK CONTACTING ELEMENT

This tool is equipped with a safety mechanism, called a work contacting element, to help prevent accidental accidental firing. Never tamper with, disable or remove the work contacting element. Do not use the tool unless the work contacting element is working properly. The tool could fire unexpectedly.



DISCONNECT THE TOOL WHEN NOT IN USE

Always disconnect the tool from the air line when it is not in use, when you leave the work area or when moving the tool to a new location. The tool must never be left unattended because people who are not familiar with the tool might handle it and injure themselves or others.

CARRY THE TOOL ONLY BY THE HANDLE

Always carry the tool by the handle only. Never carry the tool by the air hose or with the trigger depressed since you could drive a fastener unintentionally and injure yourself or someone else.

DO NOT WEAKEN THE TOOL HOUSING

The tool housing is a pressure vessel and should never be weakened by having your company's name, area of work or anything else stamped or engraved into its surface.

DISCONNECT THE TOOL WHEN PERFORMING REPAIRS AND CLEARING JAMS

Never attempt to clear a jam or repair a tool unless you have disconnected the tool from the air line and removed all remaining fasteners from the tool.

ALWAYS USE THE PROPER FITTING FOR THE TOOL

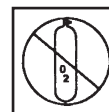
Only MALE pneumatic type air connectors should be fitted to the tool, so that high pressure air in the tool is vented to atmosphere as soon as the air line is disconnected.

NEVER install FEMALE quick disconnect couplings on the tool. Female couplings will trap high pressure air in the tool when the air line is disconnected, leaving the tool charged and able to drive at least one fastener.



DO NOT EXCEED THE MAXIMUM RECOMMENDED AIR PRESSURE

Operate the tool only at the recommended air pressure. Do not exceed the maximum air pressure marked on the tool. Be sure the air pressure gauge is operating properly and check it at least twice a day.



Never use any bottled air or gases such as oxygen to operate the tool since they could cause the tool to explode. Do not operate in explosive atmospheres.

INSPECT TOOL FOR PROPER OPERATION

Clean the tool at least daily and lubricate as required. Never operate a dirty or malfunctioning tool.

USE ONLY PASLODE® RECOMMENDED PARTS AND FASTENERS

Use only parts and fasteners specifically designed and recommended by Paslode® for use in the tool and for work to be done. Using unauthorized parts and fasteners or modifying the tool in any way creates dangerous situations. Replace all missing warning labels---refer to tool schematic for correct placement and part number.

⚠ WARNING

Failure to follow any of the above instructions could result in severe personal injury to tool user and bystanders or cause damage to tool and property.

TOOL INSTALLATION



DANGER



Air pressure at the tool must never exceed 120 psi.

Your Paslode® tool comes ready for immediate use and can be installed by following these steps:

1. **SAFETY** - All tool operators and their immediate supervisors must become familiar with the operator safety instructions before operating the tool. The instructions are on page 4 of this manual.

2. Included with each tool are one copy of this Safety and Maintenance manual and one copy of the Tool Schematic. Keep these publications for future reference. An ownership registration card is also included. This card must be completed and returned to Paslode® immediately to register your ownership.

3. The plastic cap in the air inlet of the tool must be removed before the male fitting is installed. The fitting must be a male pneumatic type that discharges the air from the tool when the air line is disconnected.

4. Install a filter/regulator/lubricator unit, with a gauge as close as practical to the tool, preferably within ten feet. Refer to the Air Systems section of this manual for air hose requirements and lengths. In general, no other special installation is required.

5. If the operator is working at a bench or table, it is usually best to run the air line underneath the bench. A small tray under the benchtop can hold the fastener supply and the tool when not in use.

6. If this tool does not work when it is first connected, do not try to make repairs. Call your Paslode® representative immediately.

TOOL OPERATION

Depth of Drive Adjustment



WARNING



Keep the tool pointed in a safe direction. Disconnect the tool from the air supply and remove all fasteners.

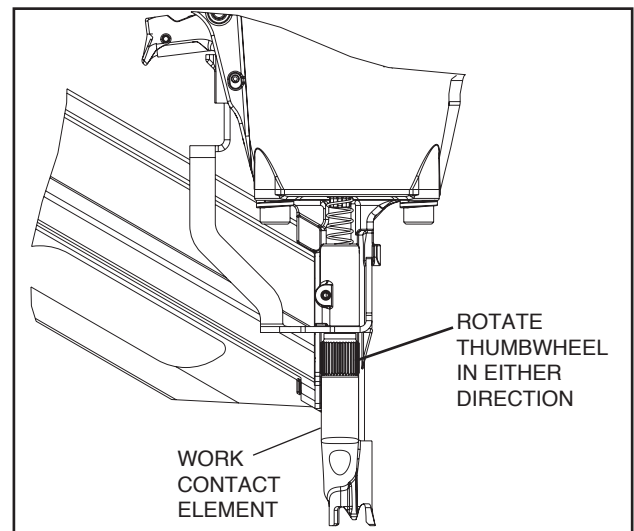
The depth of drive adjustment can be adjusted two ways.

1. One way is to adjust the air supply to provide enough drive to meet the proper depth for the application without exceeding manufactures recommended operating pressure of 120 PSI.

Tools with a Depth of Drive Adjustment

2. The depth of drive adjustment is made by turning the thumbwheel on the work contact element. If the tool is overdriving (the fastener head is driven below the work surface), the work contact element should be moved downward. If the fasteners stand up (the head not flush with the surface), the work contact element should be moved up.

Adjust the work contact element until the fastener head depth meets job requirements.





(On tools equipped with this feature)

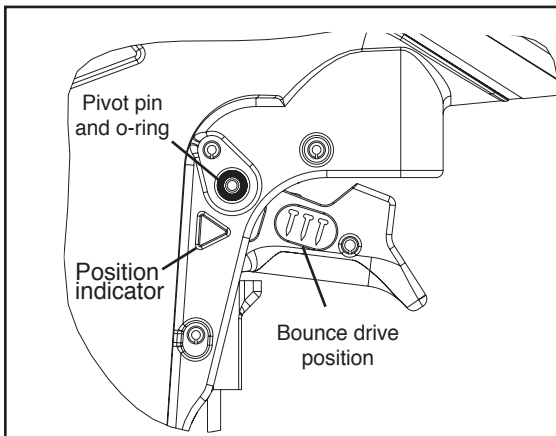
TOOL OPERATION - continued

Loading of Nails

- Step 1 - Grasp the handle firmly.
- Step 2 - Insert one strip of nails into the rear of the magazine.
- Step 3 - Pull the follower to the rear of the magazine until it is engaged behind the nails.

Switching the Trigger

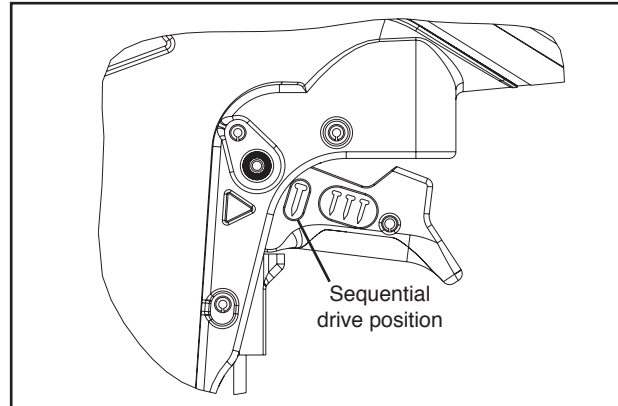
The tool is manufactured with a trigger that can be switched from sequential operation to a bounce drive operation. The trigger is placed in the sequential operating position when the tool was manufactured. To switch the trigger to the bounce operating position, remove the O-ring and trigger pivot pin from the trigger assembly. Move the trigger to the bounce operation position and install the trigger pivot pin and O-ring. The position indicator  on the tool should now be pointing to the  as shown in the illustration.



Sequential Operation

The sequential operating kit prevents successive or "bounce" driving.

- Depress the work contacting element and hold it against the work surface before pulling the trigger.
- After each fastener is driven, completely release the trigger and lift the tool from the work surface.

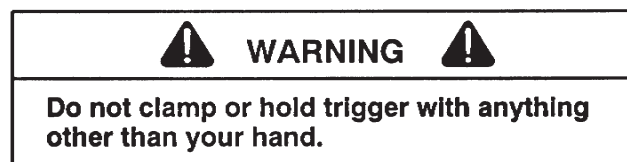


Precision Placement Driving

- Grasp the tool handle firmly and place the bottom of the work contacting element firmly against the workpiece until it is completely depressed.
- Squeeze the trigger to drive the fastener.
- Lift the tool from the workpiece.
- Repeat the procedure for the next fastener.

Successive (Bounce) Driving

- Grasp the handle firmly.
- Squeeze the trigger and move the tool along the workpiece with a bouncing motion, depressing the work contacting element at the points where you want to insert a fastener.
- Keep the trigger depressed and continue to bounce the work contacting element against the workpiece, positioning the tool above as carefully as possible.
- When the desired number of fasteners have been driven, release the tool trigger to avoid unintentional fastener discharge.



AIR SYSTEMS

For air-powered tools to work their best, the air supply system must be properly installed and maintained regularly. A drawing in this section shows a properly installed air supply system. Handy checklists for installing and maintaining air supply systems follow.

Indoor Air System Installation

-Be certain that:

- All pipes supplying air have a large enough inside diameter to ensure adequate air supply.
- The main supply pipe slopes down, away from the compressor (1/16 inch per foot).
- Air storage is provided along lengthy air lines.
- Pipe line branch outlets are at the top of the main pipe line.
- Cutoff valves are provided at each branch pipe line throughout the system.
- Water legs extend from the bottom of each branch line.
- A refrigerant-type dryer is installed on the system.
- Air hoses are kept as short as practical.
- A regular maintenance program is followed.

Outdoor Air System Installation

-Be certain that:

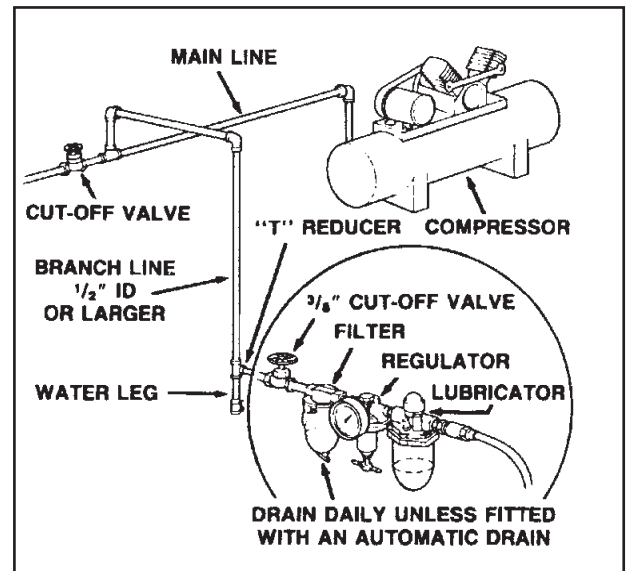
- A moisture trap and a filter/regulator/lubricator are installed at the compressor.
- Air hoses and fittings are large enough so that air flow is not restricted. Minimum hose size is 3/8 inch ID with 1/2 inch ID hose used for any application over 25 feet.

- Air hoses are not longer than 150 feet.
- The air system is lubricated regularly.
- A regular maintenance program is followed.

Filter/Regulator/Lubricator Units

Filter/regulator/lubricator units that can supply enough air and protection for Paslode® tools must meet the following specifications:

- Minimum 3/8 inch NPT port size .
- 50 micron or fine filters.
- Regulated pressure from zero to 120 psi.
- Lubricators designed for low or changing airflow.



AIR SYSTEMS - Continued

Calculating Compressor Size

Use the air consumption chart in the Tool Schematic for each tool when calculating the operating requirements for the tools. Paslode® tools are designed to operate efficiently between 90 and 120 psi and should never be operated at pressure greater than 120 psi.

The air consumption chart will help you find the correct compressor size for your application that will quickly replenish tool air pressure. To use the chart you will need to know how many tools will be used and approximately how many fasteners will be driven each minute by each tool on the line.

Using the equation:

Number of tools X average fasteners/minute/tool X 1.2 (safety factor) X air consumption (scfm) @ pressure* (psi) = scfm required.

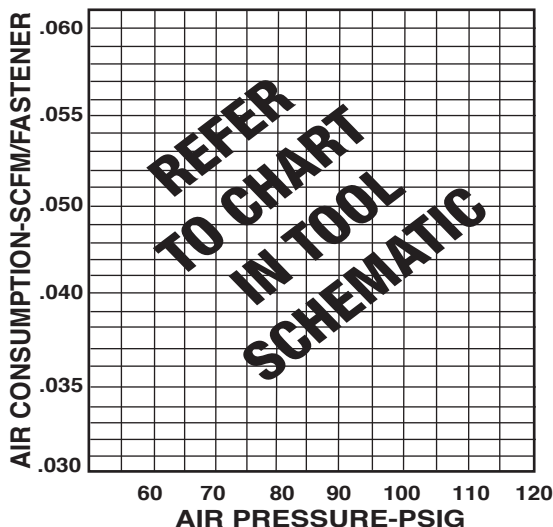
We can use the following example:

10 tools X 30 fasteners/minute/tool X 1.2 X 0.051scfm* (@100psi) = 18.36 scfm.

*This number is found in the air consumption chart.

In this example, using the air consumption chart we find that a compressor providing at least 19 scfm of air is required. Because in compressors approximately 1 hp is required to produce 4 scfm, a compressor of at least 5 hp is required.

AIR CONSUMPTION CHART



Calculated Required Piping

For example, given a 20 hp electric compressor supplying approximately 80 cfm of air at 120 psi and a main supply pipe length of 350 feet, we see by the table the minimum main pipe inside diameter required for this application is 1-1/4 inch.

VOLUME OF AIR (CFM)	LENGTH OF RUN (FT.)				
	50-200	290-500	500-1000	1000-2500	2500-5000
	NOMINAL PIPE DIAMETER (IN.)				
30-60	1	1	1¼	1½	1½
60-100	1	1¼	1¼	2	2
100-200	1¼	1½	2	2¼	2½
200-500	2	2½	3	3½	3½
500-1000	2½	3	3½	4	4½

Pneumatic System Maintenance

- Be certain that:

- Pneumatic fittings are tight and do not leak.
- Water legs, filters and air lines are drained daily, and ensure that automatic draining systems are operating correctly.
- Air lines are cleared to prevent freezing, especially in winter.
- Lubricator operation is checked regularly and ensure it has an adequate supply of lubricant.
- The filter element is cleaned every six months.
- Only regulated air is being used and that each regulator is operating properly.

F325R FEATURES & BENEFITS

Tool-Less Depth of Drive

Provides precise control of nail depth (on other side)

Aggressive Work Contact

Grabs the wood when toe nailing.

Lock Out

Eliminates blank firing.

Bypass Follower

For fast 2-step loading.

Compact Design

Able to get into tight spots

Nonslip No-Mar Protection

Prevents scratches of interior work surfaces and prevents the tool from sliding on smooth surfaces

Metal Exhaust Cap

For maximum durability.

Dual Mode Trigger

Switches from sequential to bounce fire.

Ultra Lightweight Design

Easy to maneuver with less arm fatigue.

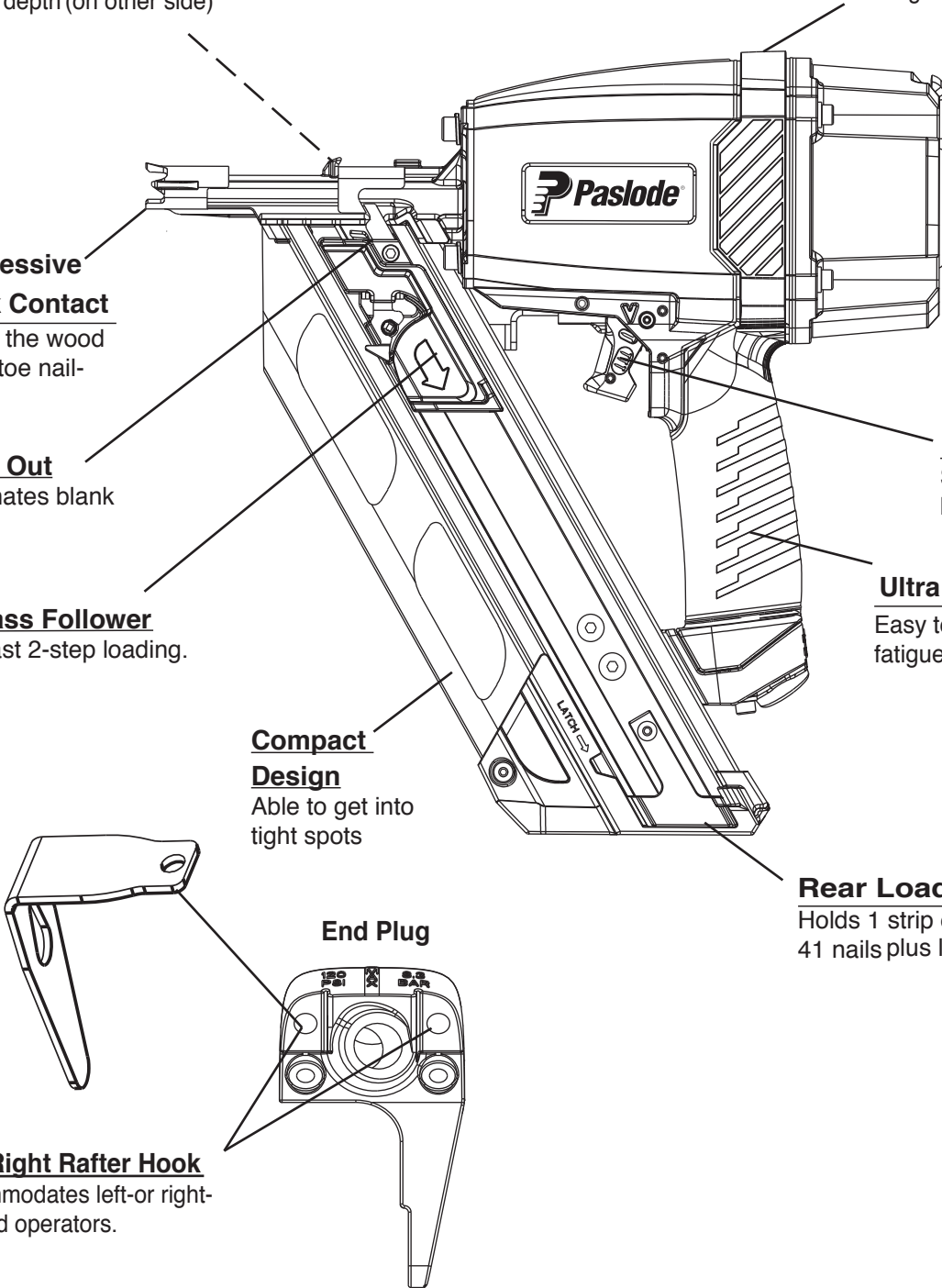
Rear Load Magazine

Holds 1 strip or approximately 41 nails plus lockout.

End Plug

Left/Right Rafter Hook

Accommodates left- or right-handed operators.



PARTS LEGEND

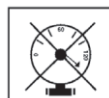
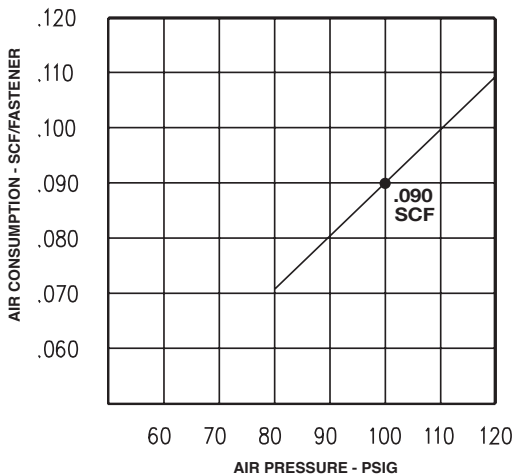
F325R ,513000

→	1	511033	1	Nut, Nylon-insert 1/4"-28	40	502014	2	Magazine Isolator
→	2	502304	1	Air Deflector	41	002187	4	1/4" Lockwasher
	3	511847	4	S.H.C.S. #10-24 x 1"	42	511714	4	S.H.C.S. 1/4-20 x 7/8"
	4	408302	6	Flat Washer	* 43	197913	1	O-Ring
→	5	513093	1	Top Cap	44	502044	1	Upper Trigger Valve Spool
*	6	511413	1	Top Cap Gasket	45	502059	1	Compression Spring
*	7	513042	1	Valve Spring, Main	* 46	196345	1	O-Ring
*	8	201756	1	O-Ring, Post	* 47	1015358	1	O-Ring
*	9	202398	1	O-Ring, Cap	48	511446	1	Valve Pin Assembly
	10	511960	1	Poppet	49	502043	1	Lower Trigger Valve Spool
*11	539676	1	O-Ring, Internal Poppet	* 50	092747	1	O-Ring	
*12	511876	1	O-Ring, External Poppet	51	502060	1	Compression Spring	
	13	511719	1	Exhaust Seal	52	502040	1	Trip Lever
	14	1011802	1	Flat Washer	53	511145	1	Dual Mode Trigger
	15	511799	1	S.H.C.S. 1/4-28 x 1-9/16"	54	091866	1	Roll Pin 1/8 x 3/4"
	16	511424	1	O-Ring, OR-224-70L	55	513032	1	Rafter Hook
	17	511409	1	Sleeve	56	502345	1	S.H.C.S. 5/16-18 x 5/8"
*18	502310	1	Check Valve Band	* 57	402963	1	O-Ring	
*19	511970	1	O-Ring, Inner Flange	58	513005	1	End Plug	
	20	511407	1	Sleeve Flange	59	502336	2	S.H.C.S. #10-24 x 1"
*21	511447	1	O-Ring, Outer Flange	60	502019	1	Follower Claw	
*22	513076	1	Bumper	61	502021	1	Lockout Bar	
*23	511585	1	Driver Blade Seal	62	511118	1	Follower Body	
	24	502055	1	Compression Spring	63	500627	1	S.H.C.S. 8-32 x 1/2"
	25	502050	1	Detent Body	64	502020	1	Compression Spring
	26	404361	1	Roll Pin 1/8 x 1/2"	65	403796	1	Roll Pin 1/8 x 1-1/4"
	27	502046	1	Upper Work Contact Element	* 66	511196	1	Negator Drum/Spring Assembly
	28	502049	1	Ball Detent	** 67	513092	1	Warning Label
	29	502061	1	Compression Spring	68	442681	2	Lock Nut 1/4-20
	30	502036	1	Thumbwheel Assembly	69	502193	1	Actuation Settings Label
	31	502047	1	Lower Work Contact Element	70	513016	2	Magazine Wear Rods
	32	513002	1	Housing with Grip	71	513059	1	Magazine Assembly
	33	502058	2	Housing Label	72	502017	2	B.H.C.S. 1/4-20 x 3/4"
	34	502333	2	Roll Pin 1/8 x 1-1/2"	73	404325	2	Stop Nut 8-32
	35	502324	1	Trigger Pin	74	502029	1	Magazine End Cap
* 36	502042	1	O-Ring	75	502031	1	B.H.C.S. #8-32 x 1/2"	
	37	511713	1	Roll Pin 3/16 x 1-3/8"	76	502038	1	B.H.C.S. #8-32 x 1"
	38	502033	1	Work Contact Element Guide	→ 77	502343	2	Wave Washers
	39	513066	1	Nose Assembly with Isolators				

* Denotes Normal Wear Items.

** Make sure Warning Label (513092) is properly affixed
Replace if necessary.

→ Denotes New Change



SAFETY INSTRUCTIONS

WEAR EYE AND HEARING PROTECTION

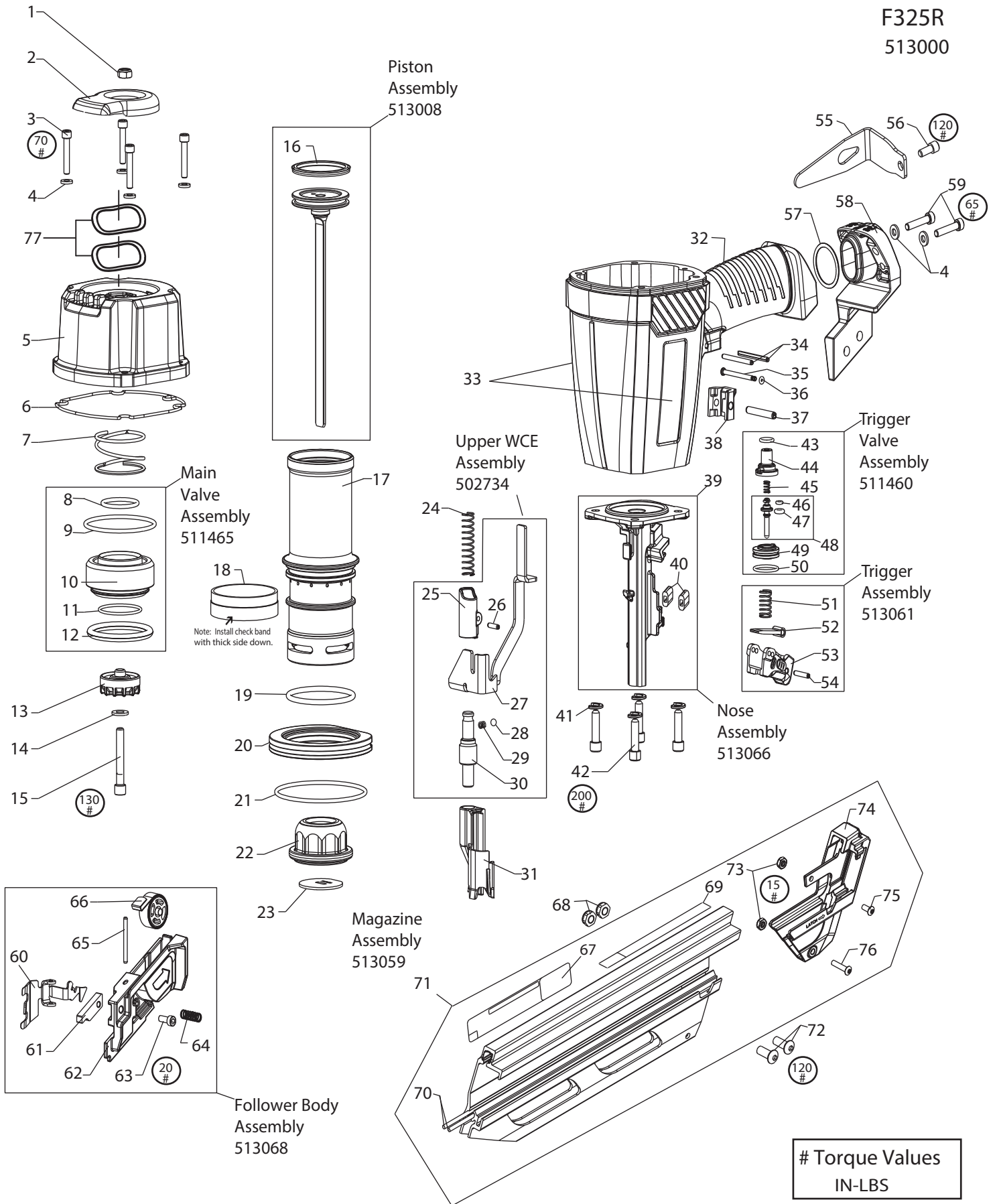
Always wear hearing protection and eye protection devices, including side shields when operating or working in the vicinity of a tool.

DO NOT EXCEED MAXIMUM RECOMMENDED AIR PRESSURE

Operate the tool using only the recommended air pressure. Do not exceed the maximum air pressure marked on the tool. Be sure the air pressure gauge is operating properly and check it at least twice a day.

Never use any bottled air or gases such as oxygen to operate the tool since they could cause the tool to explode.

F325R
513000



MAINTENANCE

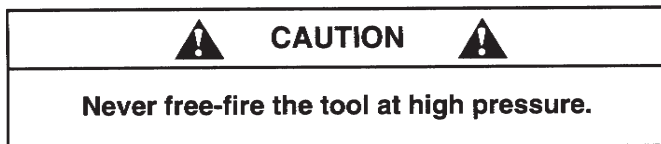
Paslode® tools are built for ease of maintenance. A few simple details will assure trouble-free operation and long tool life. Anyone who uses or maintains the tool must read the safety and maintenance instructions. Study the schematic drawing before starting any repairs on the tool.

Air-operated tools must be inspected periodically, and worn or broken parts must be replaced to keep the tool operating safely and efficiently. Also the items on the maintenance chart must be checked often.

Cold Weather Care

When temperatures are below freezing, tools should be kept warm by any convenient, safe method. If this is not possible, the following procedure should be used to warm up the tools.

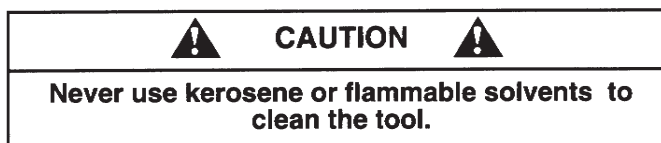
- Reduce the regulated air pressure to 30 psi.
- Remove all fasteners from the tool.
- Collect an air line and blank fire the tool. The reduced air pressure will be enough to free-fire the tool. Slow speed operation tends to warm up the moving parts. Slowing up the piston helps the bumper and the O-rings to become springy.



- Once the tool is warmed up, readjust the regulator to the proper working pressure and reload the tool.
- Tool operators working outdoors or in unheated areas in extremely cold temperatures should also:

Use pneumatic oil with antifreeze in the lubricator, Part No. 219090 (8oz.)

Once a week, depending on the amount of tool use, take the tool apart and wash away any sludge with tool cleaner (Part No. 219348) to keep the tool operating efficiently.



Cleaning the air-operated tools with solvents removes the thin coating of grease applied to the cylinder wall and O-rings at the factory. To replace this coating of grease, use Chemplex grease (Part No. 403734).

- Open the drain on the air compressor tank to drain any moisture at least daily in extremely cold or humid weather. A few ounces of anti-freeze in the tank will keep the air free of frost.

Testing the Tool After Servicing

After replacing any part or parts, it is important to check the tool for proper operation. This ensures that the tool was put together correctly, is safe to use, and will perform the job properly.

- Ensure that all hardware is tight.
- Ensure that the work contacting element is installed correctly in relation to the trigger, and that both parts move freely.
- Ensure that the magazine is properly attached.
- Ensure that the required safety information on the tool is legible.
- Use only Paslode® approved fasteners in the tool, and ensure that they are correct for the application.
- Ensure that a male air fitting is securely connected to the tool.
- Test the tool by driving fasteners into a workpiece identical to the tool's application.
- Check the tool for air leaks during testing and for the proper sequence of operation.
- Ensure that all fasteners are driven to the same depth and that the crown of the fastener is flush with the workpiece.

Tool Lubrication

It is most important that the tool be properly lubricated by keeping the air line lubricator filled and correctly adjusted. Without proper lubrication the tool will not work properly and parts will wear prematurely.

Use the proper lubricant in the air line lubricator. The lubricator should be of low air flow or changing air flow type, and should be kept filled to the correct level. Use only Paslode's recommended lubricants. Substitutes may harm the rubber compounds in the tools O-rings and other rubber parts. Part No. 403720 is a pneumatic lubricating oil specially made for pneumatic applications.

If a filter/regulator/lubricator is not installed on the air system, air operated tools should be lubricated at least once a day with 6 to 20 drops of oil, depending on the work environment, directly through the male fitting in the tool housing.

Most minor problems can be resolved quickly and easily using the maintenance table that follows. If problems persist, contact your Paslode® dealer for assistance.

MAINTENANCE - Continued



CAUTION



Disconnect the tool when performing repairs or clearing jams.

MAINTENANCE TABLE

ACTION	WHY	HOW
Drain air line filter(daily).	Prevent accumulation of moisture and dirt.	Open manual petcock (most air supply systems have such a valve).
Keep lubricator filled.	Keep tool lubricated.	Fill with pneumatic tool lubricant. Part No. 403720.
Clean filter element-then blow air through filter in direction opposite to normal flow.	Prevent clogging of filter with dirt.	Wash with soap and water or follow manufacturers instructions.
Check that all screws on tool are tight.	Prevent air leakage and promote efficient operation.	Check screws daily.
Keep work contacting element working properly.	Promote operator safety and efficient tool operation.	Blow clean daily.
Keep magazine and feeder mechanism clean.	Prevent jamming of fasteners.	Blow clean daily.
Lubricate "O" rings that are replaced.	Assure long life and proper operation of tool.	Use Chemplex grease, Part No. 403734.
Use only Paslode® replacement parts.	Keep tool operating efficiently and maintain Paslode® tool warranty.	Order any replacement parts needed from your local Paslode® Dealer.

OPERATOR TROUBLESHOOTING

 CAUTION 
Disconnect the tool when performing repairs or clearing jams.

PROBLEM	CORRECTIVE ACTION
Fasteners will not drive completely into wood.	Adjust work contacting element (retract length). Increase air pressure (do not exceed 120 psi).
Fasteners penetrate properly during normal operation, but won't drive fully at faster speeds.	Increase air flow to tool -- use larger air lines (3/8 inch ID minimum).
Fasteners drive too deeply into wood.	Reduce air pressure. Adjust work contacting element (extend length).
Tools skips during operation - no fasteners are driven from time to time.	Check magazine for proper fasteners. Magazine follower should slide freely. Clean as needed to remove debris. Make sure correct fasteners are being used. Use fasteners that meet Paslode specifications only. Increase air flow to tool -- use larger air lines (3/8 ID minimum). Adjust work contacting element where available.
Tool operates, but no fasteners are driven.	Check magazine for proper fasteners. Fasteners should slide freely with no follower pressure. Increase air pressure (do not exceed 120psi).
Air leaks at cap when tool is connected to air.	Tighten cap screws.

TOOL WARRANTY



An Illinois Tool Works Company
155 Harlem Avenue
Glenview, IL 60025

MODEL F325R Framing Nailer

TOOL WARRANTY AND LIMITATIONS

Paslode® warrants that newly purchased power fastening tools, parts and accessories will be free from defects in material and workmanship for the period shown below, after the date of delivery to the original user.

ONE-YEAR LIMITED WARRANTY

A one-year warranty will apply to all parts, except those which are specifically covered by an extended warranty.

FIVE-YEAR EXTENDED LIMITED WARRANTY

A five-year warranty will apply to all housing and cap assembly castings.

WARRANTY STATEMENT

This warranty is limited to tools sold and service requested in the United States. To obtain information on warranty service in the United States, refer to the Service Center listing that was provided with your tool.

Paslode's sole liability hereunder will be to replace any part or accessory which proves to be defective within the specific time period. Any replacement part or accessory provided in accordance with this warranty will carry a warranty for the balance of the period of warranty applicable to the part it replaces. This warranty does not apply to part replacement required due to normal wear.

This warranty is void as to any tool which has been subjected to misuse, abuse, accidental or intentional damage, use with fasteners, not meeting Paslode's specification, size, or quality, improperly maintained, repaired with other than genuine Paslode® replacement parts, damaged in transit or handling, or which, in Paslode's opinion, has been altered or, repaired in a way that affects or detracts from the performance of the tool.

PASLODE® MAKES NO WARRANTY, EXPRESSED OR IMPLIED, RELATING TO MERCHANTABILITY, FITNESS, OR OTHERWISE, EXCEPT AS STATED ABOVE, AND PASLODE's LIABILITY AS STATED ABOVE AND AS ASSUMED ABOVE is in lieu of all other warranties arising out of, or in connection with, the use and performance of the tool, except to the extent otherwise provided by applicable law. PASLODE® SHALL IN NO EVENT BE LIABLE FOR ANY DIRECT, INDIRECT, OR CONSEQUENTIAL DAMAGES, INCLUDING, BUT NOT LIMITED TO, DAMAGES WHICH MAY ARISE FROM LOSS OF ANTICIPATED PROFITS OR PRODUCTION, SPOILAGE OF MATERIALS, INCREASED COST OF OPERATION, OR OTHERWISE.

Paslode® reserves the right to change specifications, equipment, or designs at any time without notice and without incurring obligation.

ACCESSORIES

Lubricants and Loctite

Loctite 242 (Blue) .20 oz.

Part No. 093500

Lubricating Oil 16 oz.

Part No. 403720

Lubricating Oil with Antifreeze 8 oz.

Part No. 219090

Chemplex 710 Lubricant 1lb.

Part No. 403734

Tool Cleaner

Ideal cleaner for all Paslode® tools in a 12 oz. aerosol can.

Part No. 219348

Safety Glasses

Clear



Part No. 401382

No Mar Work Contact

Part No. 502234

For technical support call 1-800-222-6990.

To purchase parts and accessories, visit www.itwconstructionparts.com.

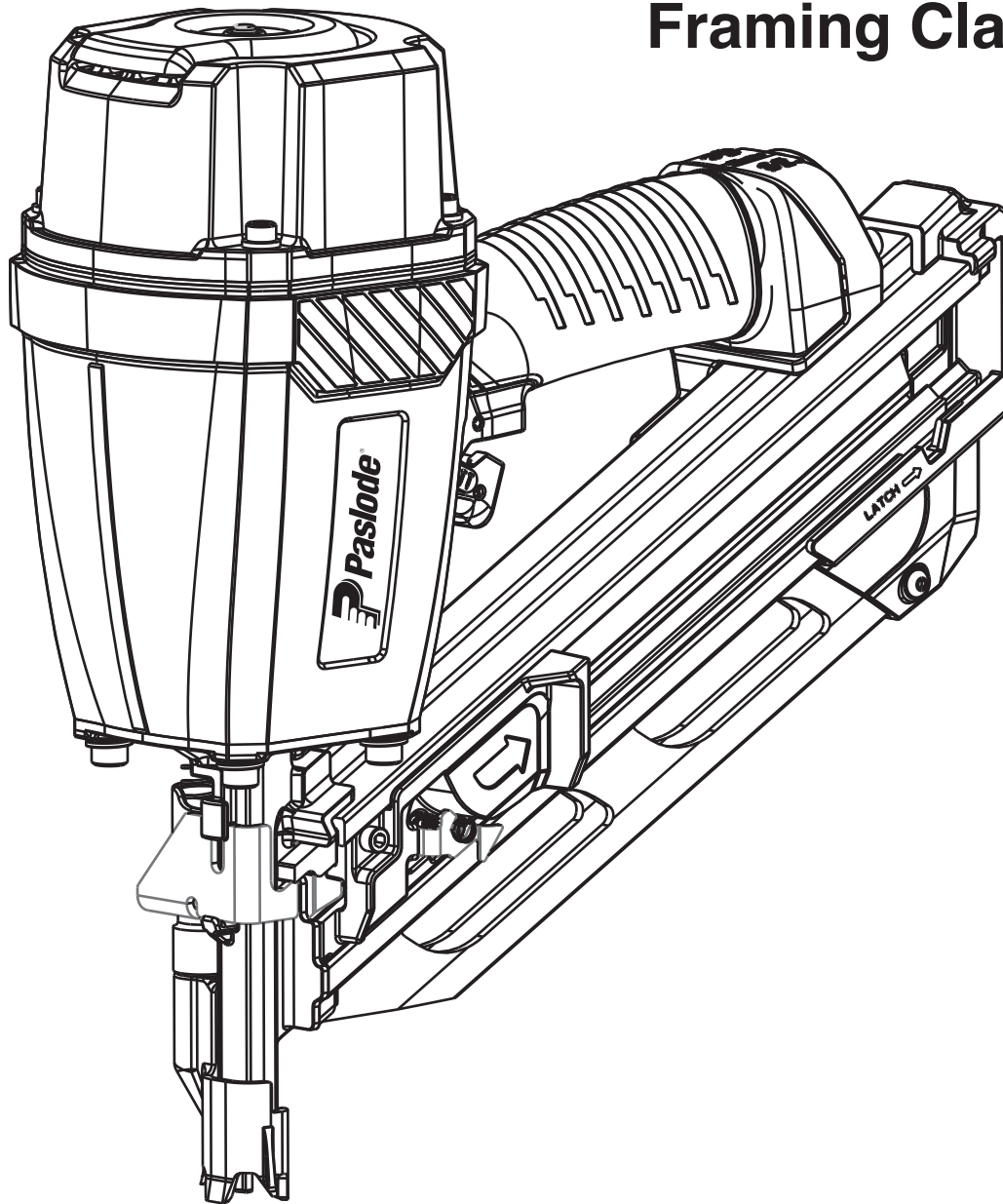


An Illinois Tool Works Company
155 Harlem Avenue
Glenview, IL 60025



MODELO F325R

Framing Clavadora



¡IMPORTANTE!

NO DESTRUYE ESTE MANUAL

El cliente tiene la responsabilidad de que todo el personal de operaciones y servicio lea y entienda este manual.

Manual de Funcionamiento y Esquema

INTRODUCCION

La herramienta Paslode® F325R clavadora remodelación es una herramienta de calidad, diseñada para uso en aplicaciones residencial. Esta herramienta le provera confiabilidad y eficecia cuando sea usada acorde con las reglas del fabricante. Lea cuidadosamente este manual y las instrucciones de seguridad para comprender como usar le herrminienta correctamente.

CONTENIDO

SPECIFICACIONES DEL LA HERRAMINETA Y SUS SUJETADORES.....	3
INSTRUCCIONES DE SEGURIDAD.....	4
INSTALACION Y OPERACION DEL LA HERRAMINETA.....	5-6
SISTEMAS DE AIRES.....	7-8
BENEFICIOS DEL LA HERRAMIENTA.....	9
VISTA EXPANDIDA CON LISTADO DE PIEZAS.....	10-11
MANTENIMIENTO.....	12-13
DETECCION Y CORRECCION DE FALLAS.....	14
GARANTIA.....	15
ACESORIOS.....	16

SPECIFICACIONES DE LA HERRAMIENTA Y LOS SUJETADORES

SPECIFICACIONES de la HERRAMIENTA

MODELO NO.	F325R (5130000)
ALTURA	12.9"
ANCHO	4.3"
LARGO	12.3"
PESO	7 lbs.
PRESION de OPERACION	90 hasta 120 p.s.i. (6.2 hasta 8.3 bar)
TIPO DE CARGADOR	30 grados, la Franja de

SPECIFICACIONES de los SUJETADORES

LONGITUD DEL CLAVO	2"- 3-1/4"
DIAMETRO	.113" - .131"

ACOPLAMIENTO DE AIRE:

Esta herramienta utiliza un enchufe de 3/8" N.P.T. El acoplamiento debe ser capaz de descargar la presión de aire en la herramienta cuando sea desconectado del suministro de aire.

OPERACION de PRESION de AIRE:

90 hasta 120 p.s.i. (6.2 hasta 8.3 bar). Para mejor funcionamiento seleccionar la presión de aire en el rango indicado.

NO EXCEDA LA PRESIÓN DE AIRE RECOMENDADA

INSTRUCCIONES DE SEGURIDAD

LA SEGURIDAD ESTA PRIMERO

Estas instrucciones proporcionan la información necesaria para el funcionamiento sin peligro de las herramientas Paslode®. **No trate de usar su herramienta hasta que no haya leído y entendido todas las precauciones de seguridad y las instrucciones de este manual.**



PROTEJASE LOS OJOS Y LOS OIDOS

Use siempre el equipo adecuado para protegerse los ojos y los oídos que sea conforme con ANSI Z87+, mientras usa una herramienta o trabaja cerca de una herramienta en uso. Como empleador usted es responsable de imponer el uso del equipo de protección de ojo. Lleve sombreros duros en los ambientes que requieren su uso.

USE SU HERRAMIENTA SOLAMENTE PARA EL PROPOSITO CON QUE FUE DISEÑADA

No arroje la herramienta al suelo; no golpee el armazón ni la use como un martillo.

NUNCA USE LA HERRAMIENTA PARA JUGUETEAR

Esta herramienta no es un juguete; por lo tanto no la trate como tal. Nunca juguete con ella, ni se apunte a usted mismo ni a otra persona, aun cuando crea que no está cargada.

NUNCA ASUMAQUE LA HERRAMIENTA ESTA VACIA

Verifique que no haya sujetadores en el cargador. Aun cuando crea que está vacía o desconectada, nunca se apunte ni apunte a otra persona con la herramienta, porque podría dispararse un sujetador que no esté a la vista.

NUNCA SUJETE EL GATILLO EN LA POSICION DE CIERRE O DE FUNCIONAMIENTO

Nunca se debe manipular indebidamente o dejar inoperante el gatillo, o sujetarlo en la posición de cierre o defuncionamiento, porque se podría disparar un sujetador al oprimirse el elemento de contacto.

NO CARGUE SUJETADORES CUANDO LA LINEA DE AIRE COMPRIMIDO ESTE CONECTADA, O CUANDO EL GATILLO O EL ELEMENTO DE CONTACTO ESTE OPRIMIDO.

Antes de cargar sujetadores en la herramienta, verifique que la línea de aire comprimido esté desconectada y que ni el gatillo ni el elemento de contacto estén oprimidos.



USE LA HERRAMIENTA SOLAMENTE SOBRE UN MATERIAL DE TRABAJO

La herramienta debe funcionar sólo cuando esté en contacto con el material de trabajo. Debe tener mucho cuidado cuando el material sea delgado o trabaje cerca de las aristas del mismo, porque los sujetadores podrían atravesar o salirse del material.

NO DEJE INOPERANTE NI quite EL ELEMENTO DE CONTACTO

Esta herramienta está equipada con un mecanismo de seguridad, llamado elemento de contacto, para prevenir cualquier disparo accidental. Nunca manipule indebidamente, deje inoperante, ni quite el elemento de contacto. No use la herramienta a menos que dicho elemento funcione correctamente, porque podría producirse un disparo imprevisto.

DESCONECTE LA HERRAMIENTA CUANDO NO LA ESTE USANDO

Siempre desconecte la herramienta de la línea de aire comprimido cuando no la esté usando o al dejar su lugar de trabajo. Nunca la descuide, porque cualquier persona que no esté familiarizada con ella podría lastimarse o lastimar a otros.



TOME LA HERRAMIENTA SOLAMENTE POR EL MANGO

Siempre tome la herramienta sólo por el mango. Nunca la tome por la manguera o con el gatillo oprimido, porque se podría disparar un sujetador y herirlo o herir a otra persona.

NO ALTERE EL ARMAZON DE LA HERRAMIENTA

El armazón de la herramienta es un recipiente a presión y nunca se debe grabar en su superficie el nombre de su compañía, el del área de trabajo, ni ningún otro detalle.

DESCONECTE LA HERRAMIENTA PARA HACER REPARACIONES O ELIMINAR OBSTRUCCIONES

Nunca trate de eliminar obstrucciones o reparar una herramienta sin haberla desconectado de la línea de aire comprimido y quitado todos los sujetadores.

USE SIEMPRE LOS ADAPTADORES APROPIADOS PARA SU HERRAMIENTA

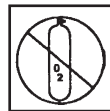
Se debe conectar a la herramienta solamente conectores neumáticos MACHOS, para permitir que el aire de alta presión salga tan pronto como se desconecte la línea de aire comprimido.

NUNCA coloque enlaces HEMBRAS de desconexión rápida en la herramienta, porque atrapan el aire a alta presión al desconectar la línea de aire comprimido, dejándola cargada y lista para disparar por lo menos un sujetador.



NO EXCEDA LA PRESION NEUMATICA MAXIMA RECOMENDADA

La herramienta debe funcionar sólo con la presión neumática recomendada. No exceda la presión neumática máxima marcada en la herramienta. Verifique por lo menos dos veces al día que el calibre de la presión neumática funcione correctamente.



Nunca use aire o gases envasado, como el oxígeno, para hacer funcionar la herramienta porque podrían hacer que explotara. No haga funcionar en atmósferas explosivas.

INSPECCIONE LA HERRAMIENTA PARA LA OPERACION APROPIADA

Limpie diariamente la herramienta y lubríquela como se recomienda. Nunca trate de hacer funcionar una herramienta sucia o defectuosa.

USE SOLAMENTE PIEZAS Y SUJETADORES RECOMENDADOS POR PASLODE

Use sólo piezas y sujetadores específicamente diseñados y recomendados por Paslode para usar con esa herramienta y para la tarea requerida. Si se usan piezas o sujetadores no autorizados o se modifica de alguna forma la herramienta, se pueden crear situaciones peligrosas. Vuelva a colocar todas las etiquetas de precaución que flaten. Consulte el diagrama de la herramienta sobre el número de cada parte y su ubicación correcta.

⚠ PELIGRO ⚠

La falta de observación de cualquiera de estas instrucciones puede ser causa de graves lesiones personales, tanto al operador de la herramienta como a quienes estén cerca de ella o de daños materiales o a la herramienta.

INSTALACION DE LA HERRAMIENTA



PELIGRO

La presión de aire en la herramienta nunca debe exceder 120 psi.

Su herramienta Paslode® está lista para usarse y se puede unstarlar siguiendo estos pasos:

1. **SEGURIDAD:** Antes de usar la herramienta, todos los operadores y sus supervisores inmediatos deben familiarizarse con las instruccioobnes de seguridad de la página 4 de este manual.
2. Con cada herramienta se entrega una copia de este manual. Conserve este manual para cualquiera consulta futura. Además, se incluye una targeta de rehistro, que debe llenarse y devolverse inmediatamente a Paslode® para que su herramienta quede registrada.
3. Quite la cubierta plástica en la entrada del aire de la herrmienta antes de instalar el adaptador macho. Se requiere un adaptador neumático tipo macho, que descargue el aire de la herramienta cuando se desconecte la línea de aire comprimido.
4. Instale una unidad de filtro/regulador/lubricador con un calibre, tan cercano al de la herramienta como sea posible, de preferencia a menos de tres metros. Consulte le sección Sistemas Neumáticos de este manual sobre la longitud y los requisitos de las mangueras de aire comprimido. En general, no se exige ninguna otra instalación especial.
5. Si el operador usa una mesa para trabajar. se aconseja colocar la línea de aire comprimido debajo de la misma. Se puede colocar una pequeña bandeja en la parte inferior de la mesa para quardar los sujetadores y la herramienta cuando no están un uso.
6. Si la herramienta no funciona cuando se conecta por primera vez, no trate de repararla; llame de inmediato al representate de Paslode®.

FUNCIONAMIENTO DE LA HERRAMIENTA

Regulación de la profundida de colocación (en herramientas que tienen esta característica)



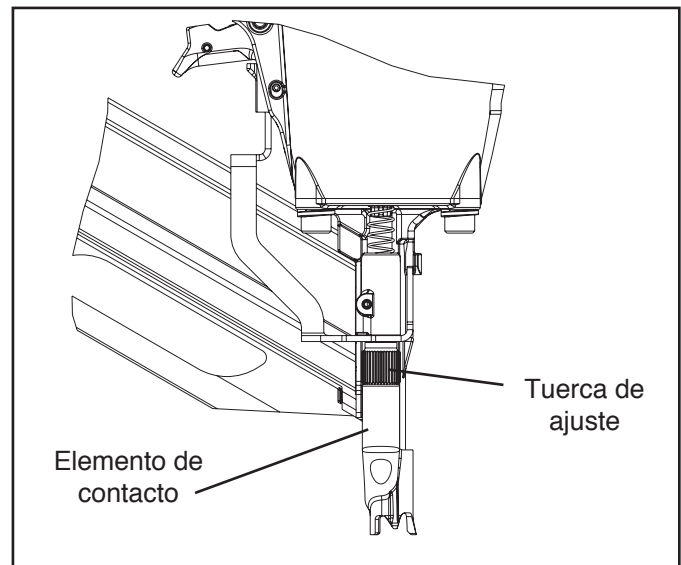
PELIGRO

Apunte la herramienta en alguna dirección en que no haya peligro. Deconéctela de la fuente de aire comprimido y quítele todos los sujetadores.

La profundidad de colocaión se logra regulando la tuerca de ajuste a sea el elemento de contacto.

Si la herramienta excede la profundidad deseada (la cabeza del sujetador es impulsada por debajo de la superficie de trabajo), baje el elemento de contacto. Si los sujetadores sobresalen (la cabeza del sujetador no está al mismo nivel que la superficie de trabajo), suba el elemento de contacto.

Mueva el elemento de contacto hasta que la cabeza del sujetador quede a la profundidad deseada.



FUNCIONAMIENTO DE LA HERRAMIENTA *(continuación)*


Sujetadores

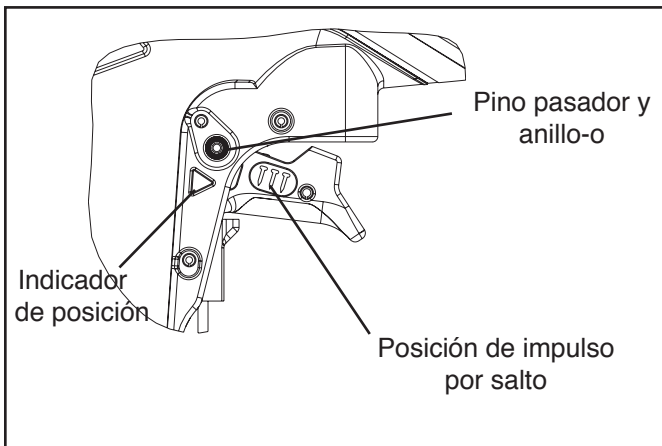
Paso 1 Tome firmamente el mango.

Paso 2 Insertar uno o uno tiras de clavos en parte atras del cargador.

Paso 3 Hale el seguidor hasta que conecte con la oparte trasera del cargador.

Cambio de gatillo

La herramienta ha sido manufacturada para cambiar del posición secuencial a operacion por salto (bounce drive). la posición de manufactura del gatillo es secuencia. Para cambiar el gatillo a la posición de impulso por salto, remover el anillo-o y el pino pasador del sistemade ensamblado del gatillo. Mover el gatillo a la posición de salto y coloque el pino pasador y el anillo-o. El indicador de posición▷ en la herramienta debe ahora indicar  como se muestra en la ilustración.

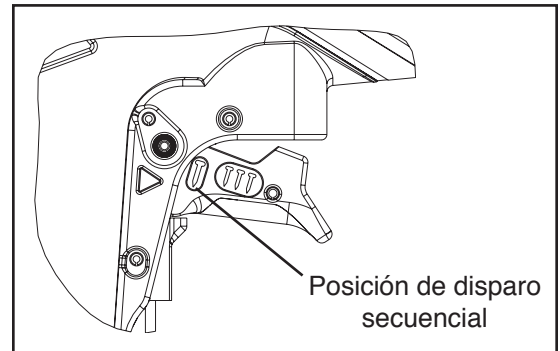


No sujete ni sostenga el gatillo con ninguna otra cosa que no sea la mano.

Funcionamiento en secuencia

El juego de funcionamiento en secuencia evita los impulsos sucesivos o "de rebote".

- Oprima el elemento de contacto y manténgalo apoyado contra el material de trabajo antes de apretar el gatillo.
- Después de haber impulsado cada sujetador, suelte completamente el gatillo y levante la herramienta del material de trabajo.



Colocación precisa

- Tome firmamente la herramienta por el mango y sosténgala de modo que el base del elemento de contacto quede bien apoyada en el material de trabajo.
- Apriete el gatillo para disparar el sujetador.
- Separe la herramienta del material de trabajo.
- Repita el mismo procedimiento con el próximo sujetador.

Impulsos sucesivos (de rebote)

- Tome la herramienta firmemente por el mango.
- Apriete el gatillo y mueva la herramienta a lo largo del material de trabajo con un movimiento de rebote, oprimiendo el elemento de contacto en los lugares donde quiera colocar un sujetador.
- Manteniendo apretado el gatillo, continúe haciendo rebotar el elemento de contacto contra el material de trabajo, colocando cuidadosamente la herramienta.
- Una vez que haya colocado todos los sujetadores necesarios, deje de oprimir el gatillo para evitar que salgan más.

SISTEMAS NEUMÁTICOS

El sistema neumático debe estar correctamente instalado y recibir mantenimiento periódicamente para que todas las herramientas de potencia neumática funcionen bien. El diagrama de más abajo muestra un sistema neumático correctamente instalado. A continuación se detallan las revisiones necesarias para la instalación y el mantenimiento de los sistemas neumáticos.

Instalación de Un Sistema Neumático para Interiores

- Asegure Que:

- El diámetro interior de todas las líneas que suministran aire sea bastante grande como para garantizar un suministro de aire adecuado.
- La línea principal tenga una inclinación de (1/16 de pulgada por pie) a partir del compresor.
- Existen almacenamientos de aire a lo largo de las líneas muy largas.
- Las salidas de aire en las líneas secundarias estén en la parte superior de la línea principal.
- Existen válvulas de cierre en cada una de las líneas secundarias de todo el sistema.
- Las columnas de agua se extiendan desde el extremo inferior de cada línea secundaria.
- Se haya instalado en el sistema un secador tipo refrigerante.
- Las mangueras de aire sean tan cortas como sea posible.
- Se siga un programa regular de mantenimiento.

Instalación de Un Sistema Neumático para Exteriores

- Asegure Que:

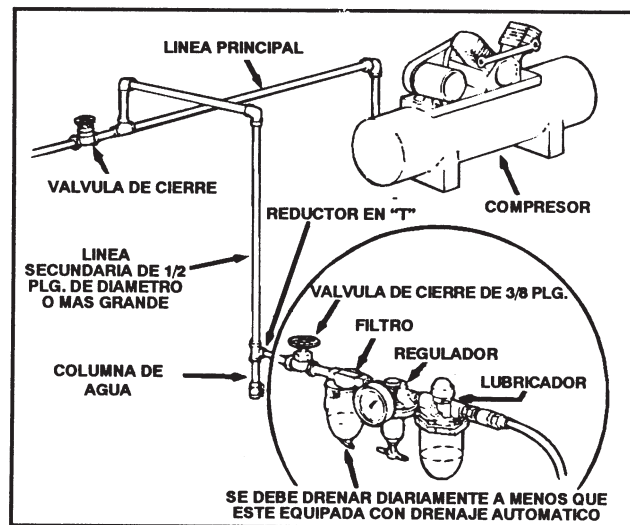
- Se hayan instalado en el compresor un colector de humedad y un filtro/regulador/lubricador.
- Las mangueras de aire y los adaptadores tengan la longitud suficiente para que el aire circule sin problemas. El diámetro mínimo de una manguera de aire es de 3/8 de pulgada y de 1/2 pulgada para cualquier aplicación de más de 7.60 m.

- Las mangueras de aire no midan más de 45.70 m de longitud.
- El sistema neumático sea lubricado periódicamente.
- Se siga un programa regular de mantenimiento.

Unidades de Filtro/Regulador/Lubricador

Las unidades de filtro/regulador/lubricador capaces de proporcionar aire y protección suficientes a las herramientas Paslode® deben tener las siguientes características:

- Tamaño mínimo del orificio a presión y temperatura normales de 3/8 de pulgada
- Filtros de 50 micrones o más finos
- Presión regulada de 0 a 120 psi
- Lubricadores diseñados para corriente de aire baja o variable



SISTEMAS NEUMATICOS (continuación)

Cómo Calcular el Tamaño del Compresor

Use la tabla de consumo de aire en el esquema de cada herramienta para calcular los requisitos de funcionamiento de las herramientas. Las herramientas Paslode® han sido diseñadas para funcionar eficientemente entre 90 y 120 psi, y nunca se deben usar a presiones superiores a 120 psi. La tabla de consumo de aire le permitirá encontrar el tamaño correcto del compresor para reponer rápidamente la presión del aire en su herramienta.

Para usar la tabla necesita saber cuántas herramientas se usarán y aproximadamente cuántos sujetadores aplicará, por minuto, cada herramienta de la línea. Use esta ecuación:

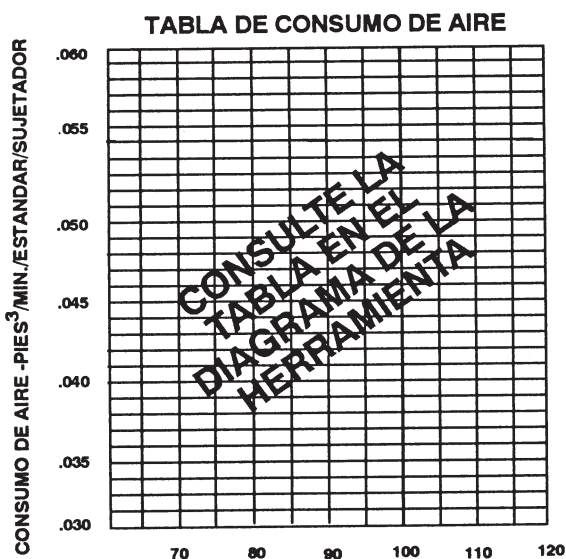
Número de herramientas X promedio de sujetadores/minuto/herramienta X 1.2 (factor de seguridad) X consumo de aire (pies³/min./estándar) @ presión* (psi) = pies³/min./estándar requeridos

Por ejemplo:

10 herramientas X 30 sujetadores/minuto/herramienta X 1.2 X 0.051 pies³/min./estándar* (@ 100 psi) = 18.36 pies³/min./estándar.

* Esta cifra aparece en la tabla de Consumo de Aire.

Usando la tabla de consumo de aire, este ejemplo demuestra que se necesita un compresor que proporcione 19 pies³/min./estándar de aire, por lo menos. Como en compresores se necesita aproximadamente 1 hp para proporcionar 4 pies³/min./estándar, se requiere, por lo menos, un compresor de 5 hp.



Cómo Calcular la Tubería Necesaria

Por ejemplo, si un compresor eléctrico de 20 hp proporciona aproximadamente 80 pies³/min. de aire a 120 psi y la longitud de la línea principal es de 106.70 m, la tabla indica que el diámetro interior de la línea principal necesario para esta aplicación debe ser de 1-1/4 pulgadas como mínimo.

VOLUMEN DEL AIRE (PIES CUBICOS/MIN.)	LONGITUD DE LA LINEA (EN METROS)				
	15-61	61-152	152-305	305-762	762-1524
	DIAMETRO NOMINAL DE LA LINEA (EN PULGADAS)				
30-60	1	1	1 1/4	1 1/2	1 1/2
60-100	1	1 1/4	1 1/4	2	2
100-200	1 1/4	1 1/2	2	2 1/4	2 1/2
200-500	2	2 1/2	3	3 1/2	3 1/2
500-1000	2 1/2	3	3 1/2	4	4 1/2

Importante: Presión de Aire (80-100 psi)

Mantenimiento del Sistema Neumático

- Asegure Que:

- Los adaptadores neumáticos estén apretados y no haya pérdidas.
- Las columnas de agua, o los filtros y las líneas de aire se drenen diariamente, y que los sistemas de drenaje automáticos funcionen correctamente.
- Las líneas de aire estén limpias para evitar que se congelen, especialmente en invierno.
- El funcionamiento del lubricador se examine periódicamente y que el suministro de lubricante sea adecuado (Pieza N° 403720).
- Se limpie el filtro cada seis meses.
- Sólo se use aire regulado y que cada regulador funcione correctamente.

F325R Características y Beneficios

Ajuste de Profundidad Sin

Uso de Herramienta

Proporciona control preciso de la profundidad de clavo (sobre lado opuesto)

Antideslizante Protección No-Mar

Evita los arañazos de las superficies de trabajo interiores y evita que la herramienta se deslize sobre superficies lisas

Tapa de Escape

Hecha de Metal

Para máxima durabilidad

Contacto

Agresivo

Agarra la madera cuando sujeta clavos oblicuos

Cierre de Disparo

Elimina disparos en blanco

Desvío del Seguidor de

Clavos

Para carga rápida en dos pasos

Diseño Compacto

Puede entrar en lugares apretados

Depósito de Carga

Capacidad de 1 tira de clavos o 41 bloqueos más.

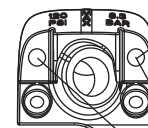
Gatillo en modo dual

Cambia de disparos en secuencia a disparos en rebote

Diseño Ultra Liviano

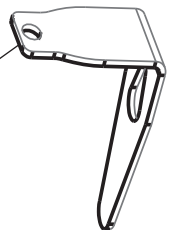
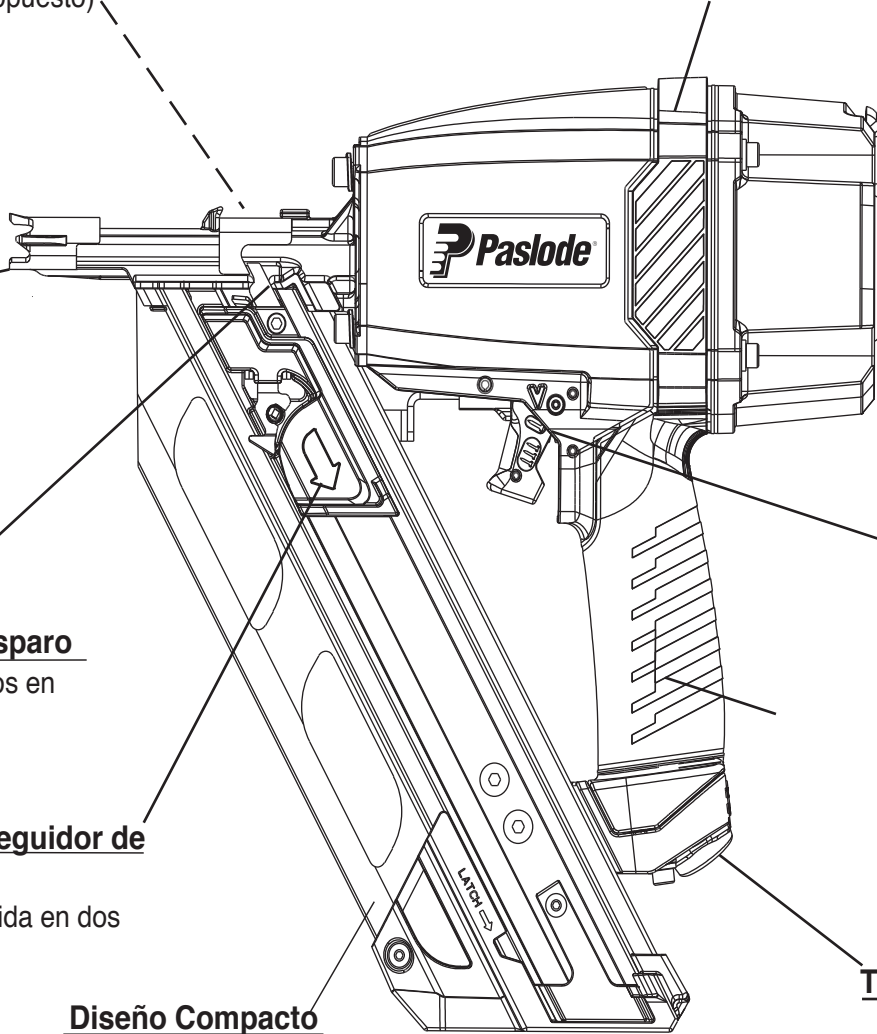
Fácil de manejar con menos cansancio del brazo

Tapón Trasero



Gancho de Vigas

Ensamblé al derrecho
Ó al izquierdo.



LISTA DE PIEZAS

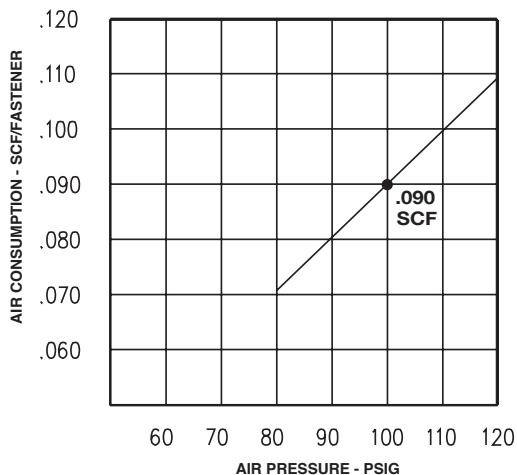
F325R , 513000

→ 1	511033	1	Nut, Nylon-insert 1/4"-28	40	502014	2	Magazine Isolator
→ 2	502304	1	Air Deflector	41	002187	4	1/4" Lockwasher
3	511847	4	S.H.C.S. #10-24 x 1"	42	511714	4	S.H.C.S. 1/4-20 x 7/8"
4	408302	6	Flat Washer	* 43	197913	1	O-Ring
→ 5	513093	1	Top Cap	44	502044	1	Upper Trigger Valve Spool
* 6	511413	1	Top Cap Gasket	45	502059	1	Compression Spring
* 7	513042	1	Valve Spring, Main	* 46	196345	1	O-Ring
* 8	201756	1	O-Ring, Post	* 47	1015358	1	O-Ring
* 9	202398	1	O-Ring, Cap	48	511446	1	Valve Pin Assembly
10	511960	1	Poppet	49	502043	1	Lower Trigger Valve Spool
*11	539676	1	O-Ring, Internal Poppet	* 50	092747	1	O-Ring
*12	511876	1	O-Ring, External Poppet	51	502060	1	Compression Spring
13	511719	1	Exhaust Seal	52	502040	1	Trip Lever
14	1011802	1	Flat Washer	53	511145	1	Dual Mode Trigger
15	511799	1	S.H.C.S. 1/4-28 x 1-9/16"	54	091866	1	Roll Pin 1/8 x 3/4"
16	511424	1	O-Ring, OR-224-70L	55	513032	1	Rafter Hook
17	511409	1	Sleeve	56	502345	1	S.H.C.S. 5/16-18 x 5/8"
*18	502310	1	Check Valve Band	* 57	402963	1	O-Ring
*19	511970	1	O-Ring, Inner Flange	58	513005	1	End Plug
20	511407	1	Sleeve Flange	59	502336	2	S.H.C.S. #10-24 x 1"
*21	511447	1	O-Ring, Outer Flange	60	502019	1	Follower Claw
*22	513076	1	Bumper	61	502021	1	Lockout Bar
*23	511585	1	Driver Blade Seal	62	511118	1	Follower Body
24	502055	1	Compression Spring	63	500627	1	S.H.C.S. 8-32 x 1/2"
25	502050	1	Detent Body	64	502020	1	Compression Spring
26	404361	1	Roll Pin 1/8 x 1/2"	65	403796	1	Roll Pin 1/8 x 1-1/4"
27	502046	1	Upper Work Contact Element	* 66	511196	1	Negator Drum/Spring Assembly
28	502049	1	Ball Detent	** 67	513092	1	Warning Label
29	502061	1	Compression Spring	68	442681	2	Lock Nut 1/4-20
30	502036	1	Thumbwheel Assembly	69	502193	1	Actuation Settings Label
31	502047	1	Lower Work Contact Element	70	513016	2	Magazine Wear Rods
32	513002	1	Housing with Grip	71	513059	1	Magazine Assembly
33	502058	2	Housing Label	72	502017	2	B.H.C.S. 1/4-20 x 3/4"
34	502333	2	Roll Pin 1/8 x 1-1/2"	73	404325	2	Stop Nut 8-32
35	502324	1	Trigger Pin	74	502029	1	Magazine End Cap
* 36	502042	1	O-Ring	75	502031	1	B.H.C.S. #8-32 x 1/2"
37	511713	1	Roll Pin 3/16 x 1-3/8"	76	502038	1	B.H.C.S. #8-32 x 1"
38	502033	1	Work Contact Element Guide	→ 77	502343	2	Wave Washers
39	513066	1	Nose Assembly with Isolators				

* Indica piezas de desgaste normal

** Asegure que la Etiqueta de Advertencia (513092) este bien pegada. Reemplaze si es necesario.

→ Indica un cambio nuevo.



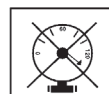
INSTRUCCIONES DE SEGURIDAD



USE PROTECCIÓN PARA OÍDOS Y OJOS.



Siempre use protección para oídos y equipo de seguridad para los ojos, incluyendo protectores laterales cuando este manejando o trabajando en los alrededores de una herramienta.



NO SOBREPASE LA MÁXIMA PRESIÓN DE AIRE RECOMENDADA

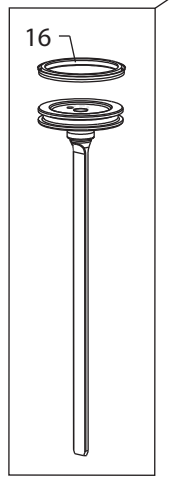
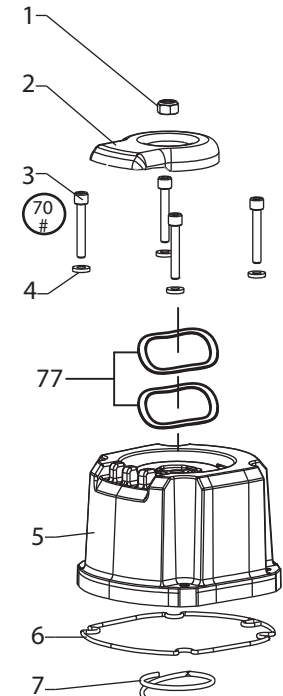


Solo opere la herramienta usando la presión de aire recomendada. No sobre pase la máxima presión de aire marcada sobre la herramienta. Asegure que el indicador de presión de aire este trabajando bien y reviselo por lo menos dos veces al día.

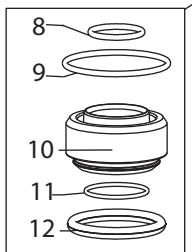
Nunca use algún aire o gas embotellado tal como el oxígeno para funcionar la herramienta ya que pueden causar que la herramienta explote.

F325R
513000

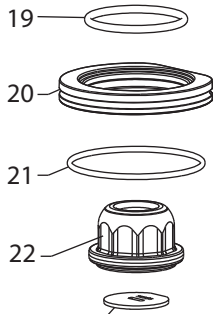
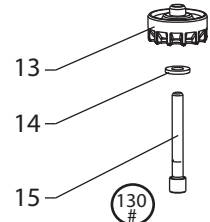
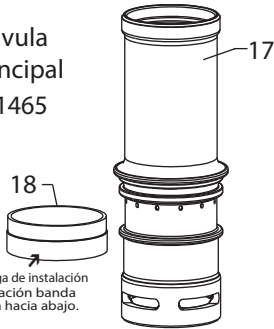
Montaje
del Pist ón
513008



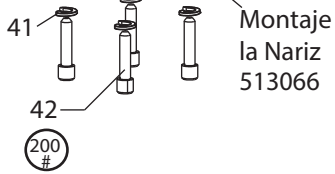
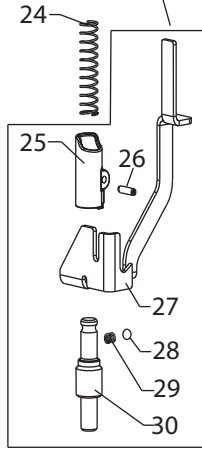
Válvula
Principal
511465



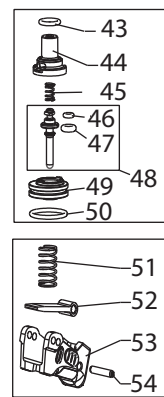
Nota:
Manga de instalación
verificación banda
gruesa hacia abajo.



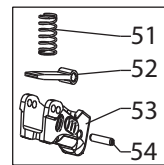
Montaje del
Elemento de
Contacto
Superior
502734



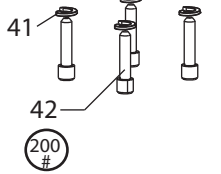
Montaje de
a Válvula
del Gatillo
511460



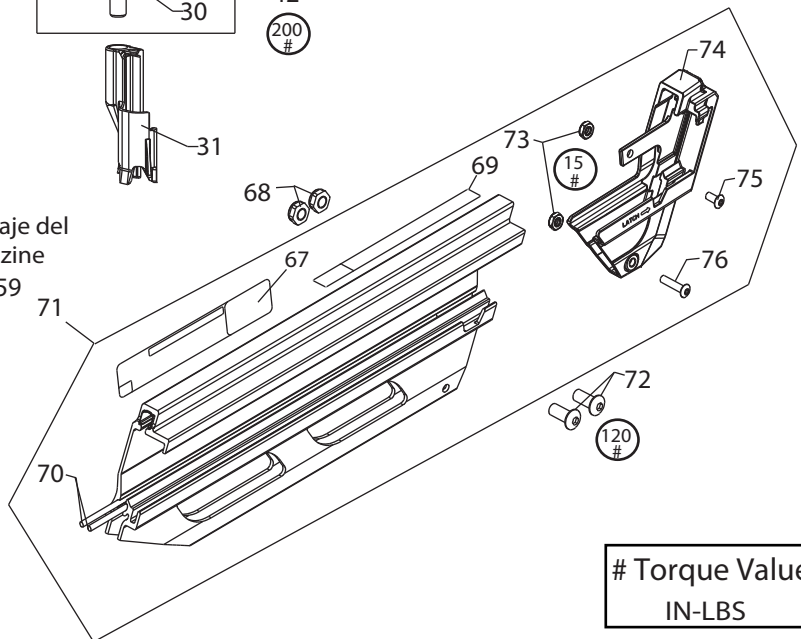
Montaje del
Gatillo
513061



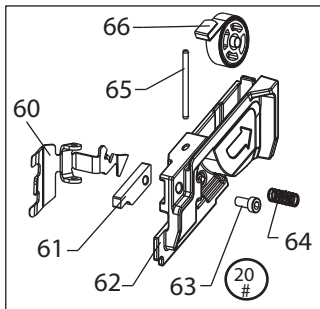
Montaje
la Nariz
513066



Montaje del
Magazine
513059



De Montaje
de Carrocerías
del Seguidor
513068



Torque Values
IN-LBS

MANTENIMIENTO

El mantenimiento de cualquier herramienta Paslode® es simple. Su funcionamiento sin problemas y la prolongación de la vida de la herramienta se logran siguiendo un sencillo procedimiento. Las personas encargadas de usar y mantener la herramienta deben leer las instrucciones de seguridad y mantenimiento. Estudie los diagramas antes de hacer cualquier reparación.

Las herramientas neumáticas deben revisarse periódicamente, y se deben cambiar las piezas gastadas o deterioradas para que la herramienta siga funcionando con eficiencia y sin peligro. Además, se debe revisar la tabla de mantenimiento frecuentemente.

Cuando Hace Mucho Frio

Cuando la temperatura es inferior a la de congelamiento, las herramientas deben mantenerse a la temperatura ambiente por el método más seguro y conveniente. De lo contrario, aconsejamos seguir el siguiente procedimiento para calentar las piezas de la herramienta.

- Disminuya la presión regulada del aire a 30 psi
- Quite todos los sujetadores de la herramienta.
- Conecte una línea de aire y dispare la herramienta sin clavos. La presión reducida del aire será suficiente para lograrlo. El funcionamiento a poca velocidad tiene la tendencia de calentar las partes móviles. Disminuyendo la velocidad del pistón le da cierta elasticidad al amortiguador y los anillos-o.



PRECAUCIÓN

Nunca dispare la herramienta sin clavos a alta presión.

- Una vez que la herramienta se haya calentado, ajuste nuevamente el regulador a la presión apropiada para trabajar y cargue de nuevo la herramienta.
- Los operadores que trabajen al aire libre o en áreas sin calefacción con temperaturas extremadamente frías también tienen que usar en el lubricador el aceite neumático con anticongelante N° 219090 (8 oz.).
- Una vez por semana, según el uso que le dé a su herramienta, desármela y lávela con el solvente N° 219348, para eliminar cualquier suciedad y asegurar que la herramienta siga funcionando bien.



PRECAUCIÓN

Nunca use queroseno ni ningún solvente inflamable par limpiar la herramienta.

Al usar solventes para limpiar herramientas neumáticas se destruye la delgada capa de grasa lubricante, que se aplica en la fábrica, de la pared del cilindro y de los anillos-o. Use grasa Chemplex N° 403734 para reemplazar la capa de grasa lubricante.

- Abra, por lo menos diariamente, el drenaje del tanque del compresor del aire para eliminar cualquier humedad, cuando haga mucho frío o el grado de humedad sea muy alto. Poniendo una pequeña cantidad de descongelante en el tanque evitará que la humedad se congele.

Probar la Herramienta Después de Darle

Servicio

Después de reemplazar una o más piezas, es importante comprobar si la herramienta funciona como es debido. Esto asegura que todas las piezas estén puestas correctamente, que la herramienta esté segura y que funcione correctamente.

- Verifique que ninguna pieza esté floja.
- Compruebe que el elemento de contacto haya sido correctamente instalado en relación con el gatillo y que ambas piezas se muevan libremente.
- Verifique que el cargador esté colocado correctamente.
- Verifique que la información sobre seguridad, que está en la herramienta, sea legible.
- Use solamente sujetadores aprobados por Paslode® y compruebe que sean los apropiados para su aplicación.
- Verifique que se haya conectado firmemente un adaptador macho a la herramienta.
- Pruebe la herramienta impulsando sujetadores en un material de trabajo idéntico al de la aplicación.
- Verifique que no haya pérdidas de aire en la herramienta durante las pruebas y revise la secuencia apropiada de funcionamiento.
- Asegure que todos los sujetadores sean impulsados a la misma profundidad y que la cabeza del sujetador esté al ras con el material de trabajo.

Lubricación de la Herramienta

Es muy importante lubricar la herramienta correctamente, manteniendo lleno el lubricador de la línea de aire y correctamente regulado. Sin la lubricación apropiada, la herramienta no funcionará como es debido y sus piezas se gastarán prematuramente.

Use el lubricante apropiado en el lubricador de la línea de aire. El lubricador debe ser para corriente de aire baja o variable, y tiene que estar lleno hasta el nivel apropiado por Paslode® porque otros lubricantes podrían dañar el caucho de los anillos-o y otras piezas de caucho. El lubricante N° 403720 (474 ml) es un aceite lubricante especialmente diseñado para aplicaciones neumáticas.

Si no se instala un filtro/regulador/lubricador en el sistema neumático, las herramientas neumáticas deben ser lubricadas, por lo menos, diariamente, poniendo entre 6 y 20 gotas de aceite, según sea el tipo de trabajo que se realice, directamente a través del adaptador macho.

Usando la siguiente tabla de mantenimiento es posible resolver rápidamente y fácilmente la mayoría de los pequeños problemas. Si un determinado problema persiste, comuníquese con el representante de Paslode®.

MANTENIMIENTO (continuación)

⚠ PRECAUCIÓN ⚠
Desconecte la herramienta al hacer cualquier reparación o eliminar cualquier obstrucción.

TABLA DE MANTENIMIENTO

ACTIVIDAD	POR QUE	COMO
Drene el filtro de la línea de aire a diario.	Para evitar que se acumulen la humedad y la suciedad.	Abra la llave de escape. (La mayoría de los sistemas neumáticos la tienen.)
Mantenga lleno el lubricador.	Para mantener lubricada la herramienta.	Llene con lubricante neumático N° 403720 (474 ml).
Limpie el elemento del filtro; luego, sople aire a través del filtro en la dirección opuesta a la corriente normal.	Para evitar que la suciedad obstruya el filtro.	Lave con agua y jabón, o siga las instrucciones del fabricante.
Verifique que todos los tornillos de la herramienta estén apretados.	Para evitar pérdidas de aire y asegurar el buen funcionamiento de la herramienta.	Revise los tornillos a diario.
Revise si el elemento de contacto funciona correctamente.	Para promover la seguridad del operador y el buen funcionamiento de la herramienta.	Límpielo con aire a diario.
Mantenga limpios los mecanismos del cargador y del alimentador.	Par prevenir que se obstruyan los sujetadores.	Límpielos con aire a diario.
Lubrique los anillos-o que se hayan reemplazado.	Para prolongar la vida de la herramienta y su funcionamiento adecuado.	Use grasa lubricante Chemplex N° 403734.
Use solamente piezas de repuesto Paslode®.	Para que la herramienta continúe funcionando eficientemente y mantener vigente la garantía de Paslode®.	Solicite al representante de Paslode® cualquier pieza de repuesto que necesite.

DETECCION Y CORRECCION DE FALLAS



PRECAUCIÓN

Desconecte la herramienta al hacer cualquier reparación o eliminar cualquier obstrucción.

PROBLEMA	SOLUCIÓN
Los sujetadores no penetran completamente en la madera.	Cambie la posición del elemento de contacto (Retraiga la longitud). Aumente la presión de aire (no debe exceder 120 psi).
Los sujetadores penetran bien durante las operaciones normales, pero fallan a velocidades más altas.	Aumente el flujo de aire a la herramienta; use líneas de aire más grandes (3/8" de diámetro como mínimo).
Los sujetadores penetran demasiado en la madera.	Cambie la posición del elemento de contacto (Extienda la longitud). Reduzca la presión de aire.
Los sujetadores se acumulan en la punta de la herramienta.	Abra el seguro delantero, quite el sujetador obstruido y cierre bien el seguro.
La herramienta "salta" mientras está funcionando; de vez en cuando no impulsa sujetadores.	<p>Compruebe si el cargador tiene los sujetadores apropiados. El transportador debe deslizarse sin dificultad. Límpielo para quitar cualquier suciedad.</p> <p>Verifique que se usen los sujetadores apropiados. Use solamente sujetadores que reúnan las especificaciones de Paslode®.</p> <p>Aumente el flujo de aire a la herramienta; use líneas de aire más grandes (3/8" de diámetro como mínimo).</p> <p>Ajuste el elemento de contacto donde sea posible.</p>
La herramienta funciona, pero no dispara sujetadores.	<p>Compruebe si el cargador tiene los sujetadores apropiados. Los sujetadores deben deslizarse libremente sin presión del transportador.</p> <p>Abra el seguro delantero o afloje el botón del cargador y revise si hay suciedad o alguna obstrucción en el área de la punta. Límpiela si es necesario.</p> <p>Aumente la presión de aire (no debe exceder 120 psi).</p>
Hay pérdidas de aire en la cubierta cuando la herramienta está conectada a la línea de aire.	Apriete los tornillos.

GARANTÍA



An Illinois Tool Works Company
155 Harlem Avenue
Glenview, IL 60025

TERMINOS DE LA GARANTÍA

Paslode® garantiza que sus herramientas mecánicas, sus piezas y accesorios, que hayan sido comprados nuevos, están libres de defectos de material y fabricación por el período indicado más abajo, a partir de la fecha de compra del comprador original.

GARANTÍA LIMITADA DE UN AÑO

La garantía limitada de un año cubre todas las piezas, con excepción de aquellas cubiertas por la extensión de garantía.

GARANTÍA LIMITADA ADICIONAL DE CINCO AÑOS

La garantía de cinco años cubre todos los armazones y ensamblajes de las tapas.

DECLARACIÓN DE LA GARANTÍA

Esta garantía esta limitada a las herramientas vendidas y revisadas en los Estados Unidos. Para obtener mas información sobre el servicio de garantía en los Estados Unidos, véa la lista de Centros de Servicio que fue proporcionada con su herramienta.

Paslode® asume únicamente la responsabilidad de reponer cualquier pieza o accesorio que se compruebe como defectuoso dentro del período especificado. Cualquier pieza o accesorio de repuesto, entregado de conformidad con esta garantía, gozará de la garantía por el período restante de la garantía que cubría a la pieza o al accesorio originales. Esta garantía no cubre las piezas que necesitan ser repuestas como consecuencia de su desgaste normal.

Se cancelará esta garantía a cualquier herramienta que haya sido usada incorrectamente, dañada accidental o intencionalmente, usada con sujetadores que no reúnan las especificaciones, el tamaño o la calidad de Paslode® o a la que no se le haya dado el mantenimiento o el uso adecuado, o que haya sido reparada con piezas que no sean marca Paslode® o que en opinión de Paslode® hayan sido modificadas o reparadas de manera que afecte o sea contraria al funcionamiento de la herramienta.

PASLODE® NO OTORGA NINGUNA GARANTÍA EXPLÍCITA O IMPLÍCITA CON RESPECTO A LA COMERCIALIZACIÓN O ADAPTACIÓN AL USO PREVISTO, O DE CUALQUIER OTRA NATURALEZA, CON EXCEPCIÓN DE LO DECLARADO ANTERIORMENTE, y la responsabilidad de PASLODE® TAL COMO SE INDICA Y SE ASUME MÁS ARRIBA reemplaza a todas las otras garantías que resulten o estén relacionadas con el uso y funcionamiento de la herramienta, excepto según lo estipulen las leyes pertinentes. PASLODE® NO SERÁ RESPONSABLE EN NINGÚN CASO POR NINGÚN DAÑO DIRECTO, INDIRECTO O CONSECUENTE INCLUYENDO, PERO SIN LIMITARSE, CUALQUIER DAÑO RESULTADO DE LA PÉRDIDA DE PRODUCCIÓN O GANANCIAS ANTICIPADAS, EL DETERIORO DE MATERIALES, AUMENTOS EN EL COSTO DE OPERACIÓN O CUALQUIER OTRO.

Paslode se reserva el derecho de cambiar las especificaciones, el equipo o los diseños en cualquier momento, sin aviso previo y sin incurrir en obligación alguna.

ACESORIOS

Lubricantes Y Loctite

Loctite 242 (Azul)

Pieza No. 093500

Acetite Lubricante 16 oz.

Pieza No. 403720

Acetite Lubricante 8 oz .

Pieza No. 219090

Lubricante Chemplex 710 1lb.

Pieza No. 403734

Limpiador

El limpiador ideal para todas las herramientas

Pieza No. 219348

Lentes de Seguridad

Claros



Pieza No. 401382

Kit de reparación de parte de F325R

Pieza No. 219389

Contacto de elemento "no-mar"

Pieza No. 502234

Para llamada técnica de apoyo, 1-800-222-6990.

Para comprar las partes y los accesorios, la visita www.itwconstructionparts.com.



An Illinois Tool Works Company
155 Harlem Avenue
Glenview, IL 60025

ACCESSOIRES

Lubrifiants et Locrite

Locrite 242 (bleu) 5,92 ml (0,20 oz).

Huile lubrifiante 473ml (16 oz).

Huile lubrifiante avec antigel 238 ml (8 oz).

Lubrifiant Chempflex 710 0,453 kg (1 lb).

Pièce n° 403734

Pièce n° 219090

Pièce n° 403720

Pièce n° 093500

Produit nettoyant d'outil

Nettoyant idéal pour tous les outils Paslode® dans un flacon d'aérosol de 355ml (12 oz).



Pièce n° 219348

Lunettes de sécurité

Transparentes



Pièce n° 401382

Élément de contact antimarques

Pièce n° 502234

Pour le support technique, téléphonez au 1-800-387-6472.

Pour de l'information supplémentaire sur les produits Paslode®, visitez notre site web au www.paslode.com.



An Illinois Tool Works Company
155 Harlem Avenue
Glenview, IL 60025

GARANTIE DE L'OUTIL



Une compagnie de Illinois Tool Works

155 Harlem Avenue

Glenview, IL 60025

MODÈLE F325R

Cloueuse à charpente

GARANTIE DE L'OUTIL ET LIMITES

DÉCLARATION DE GARANTIE

Cette garantie est limitée aux outils vendus aux États-Unis et au Canada qui nécessitent des réparations. Afin d'obtenir de l'information visant le service sous garantie aux États-Unis et au Canada, veuillez vous référer à la liste des centres de service fournie avec votre outil.

La seule responsabilité de Paslode sera de remplacer toute pièce ou accessoire prouvé défectueux durant la période spécifiée. Toute pièce de remplacement ou accessoire fourni en rapport à cette garantie sera couvert par une garantie pour la période de garantie résiduelle couvrant la pièce originale qui est remplacée. Cette garantie ne s'applique pas aux pièces de remplacement requises par une usure normale.

Cette garantie est nulle dans le cas d'un outil qui a été assujéti à de l'abus, une mauvaise utilisation, des dommages accidentels ou intentionnels, ou bien utilisé de concert avec des attaches qui ne rencontrent pas les normes de Paslode, leur grandeur ou qualité, ayant été mal entretenu, réparé avec des composantes autres que les pièces originales Paslode, endommagé durant le transport ou la manutention, ou bien, d'après l'expertise de Paslode, a été modifié ou réparé de manière telle qu'elle affecte ou amoindri la performance de l'outil.

PASLODE NE DONNE AUCUNE GARANTIE, EXPRIMÉE OU SUPPOSÉE, EN CE QUI A TRAIT À LA COMMERCIALITÉ, CONVENANCE, OU AUTRE, À L'EXCEPTION DE LA DÉCLARATION CI-HAUT, ET LA RESPONSABILITÉ DE PASLODE, TELLE QUE CITÉE ET CONVENUE CI-HAUT, prime en ce qui a trait à toutes autres garanties pouvant provenir de ou être connexes à l'utilisation et la performance de l'outil, à l'exception des modalités légales applicables. PASLODE NE POURRAIT ÊTRE TENUE RESPONSABLE, EN AUCUN CAS, DE DOMMAGES DIRECTS, INDIRECTS OU CONSÉQUENTS À INCLUANT MAIS NON LIMITÉ AUX DOMMAGES POUVANT DÉCOULER PAR LA PERTE DE PROFITS ANTICIPÉS, DE PRODUCTION, PERTE DE MATÉRIAUX, CÔÛTS MAJORÉS D'OPÉRATIONS OU AUTRES.



Paslode garantit que les nouveaux outils d'ancrage assisté, leurs pièces et accessoires seront libres de toutes défectuosités en matériel et main-d'œuvre pour la période spécifiée ci bas suite à la livraison à l'utilisateur original.

GARANTIE LIMITÉE UN AN



Une garantie limitée de un an s'applique sur toutes les pièces, à l'exception des pièces couvertes par une garantie prolongée.

GARANTIE LIMITÉE PROLONGÉE DE CINQ ANS

Une garantie limitée de cinq ans s'applique sur tous les pièces moulées du boîtier et ensemble de couvercle.

ATTENTION   Débranchez l'outil lorsque vous le réparez ou le décoincez.

MESURE CORRECTIVE	PROBLÈME
<p>Régalez l'élément de contact (réduisez la longueur). Augmentez la pression d'air (ne dépassez pas 8,3 bars [120 psi]).</p>	<p>Les attaches ne pénètrent pas complètement dans le bois.</p>
<p>Augmentez le débit d'air à l'outil - utilisez des conduites d'air plus grosses (minimum 9,5 mm [3/8 po] de D.I.).</p>	<p>Les attaches pénètrent correctement lors d'une utilisation normale mais ne s'enfoncent pas complètement à des vitesses plus élevées.</p>
<p>Réduisez la pression d'air. Régalez l'élément de contact (augmentez la longueur).</p>	<p>Les attaches pénètrent trop profondément dans le bois.</p>
<p>Vérifiez que le magasin contient les bonnes attaches. Le transporteur doit pouvoir glisser librement. Nettoyez au besoin pour enlever tous les débris. Assurez-vous que vous utilisez les attaches correctes. Utilisez des attaches conformes aux caractéristiques Paslode uniquement. Augmentez le débit d'air à l'outil - utilisez des conduites d'air plus grosses (minimum 9,5 cm [3/8 po] de D.I.). Régalez l'élément de contact si vous en avez un.</p>	<p>L'outil saute pendant l'utilisation - les attaches ne sortent pas de temps en temps.</p>
<p>Vérifiez que le magasin contient les bonnes attaches. Les attaches doivent pouvoir glisser librement sans pression du transporteur. Augmentez la pression d'air (ne dépassez pas 8,3 bars [120 psi]).</p>	<p>L'outil fonctionne mais aucune attache ne sort.</p>
<p>Serrer les vis du capuchon.</p>	<p>Fuites au niveau du capuchon lorsque l'outil est connecté à l'air.</p>

 ATTENTION 
Débranchez l'outil lorsque vous le réparez ou le décoincez.

TABEAU D'ENTRETIEN

MESURE À PRENDRE	POURQUOI	COMMENT
Purgez le filtre de la conduite d'air (quotidiennement).	Empêche l'accumulation d'humidité et de saleté.	Ouvrez le robinet de purge manuelle (la plupart des systèmes d'alimentation en air ont un tel robinet).
Gardez le lubrificateur plein.	Garde l'outil lubrifié.	Remplissez d'un lubrifiant pour outil pneumatique. Pièce n°403720.
Nettoyez l'élément du filtre, puis soufflez de l'air à travers le filtre dans la direction opposée au débit normal.	Empêche l'obstruction du filtre par la saleté.	Lavez à l'eau savonneuse ou suivez les instructions du fabricant.
Vérifiez que toutes les vis de l'outil sont serrées.	Empêche les fuites d'air et favorise un fonctionnement plus efficace.	Vérifiez les vis quotidiennement.
Assurez-vous que l'élément de contact fonctionne correctement.	Favorise la sécurité de l'utilisateur et un fonctionnement efficace de l'outil.	Nettoyez quotidiennement en soufflant.
Gardez le magasin et le dispositif d'alimentation propres.	Empêche le coincement des attaches.	Nettoyez quotidiennement en soufflant.
Lubrifiez les joints toriques remplacés.	Assure une longue vie et un bon fonctionnement de l'outil.	Utilisez la graisse Chemplex, pièce n° 403734.
Utilisez uniquement des pièces de rechange Paslode®.	Préserve le bon fonctionnement de l'outil et la garantie de l'outil Paslode®.	Commandez les pièces de rechange dont vous avez besoin auprès de votre concessionnaire Paslode® local.

ENTRETIEN

Les outils Paslode® sont conçus pour un entretien facile. Quelques détails simples assureront un fonctionnement sans souci et une longue vie de service. Toute personne qui utilise ou répare l'outil doit lire les consignes de sécurité et d'entretien. Examinez les schémas avant d'entamer toute réparation de l'outil.

Les outils qui fonctionnent à l'air doivent être inspectés régulièrement et les pièces usées ou cassées doivent être remplacées pour préserver un fonctionnement sûr-itaire et efficace de l'outil. Les articles figurant sur le tableau d'entretien doivent également être vérifiés souvent.

Entretien par temps froid

Si les températures tombent en dessous de zéro, les outils doivent demeurer au chaud de toute façon pratique et sécuritaire. Si ce n'est pas possible, il faut suivre les procédures suivantes pour réchauffer les outils.



- Réduisez la pression d'air régulé à 2,06 bars (30 psi).
- Retirez toutes les attaches de l'outil.

Captez une conduite d'air et tirez à blanc. La pression d'air réduite sera suffisante pour tirer librement. Un fonctionnement lent à tendance à réchauffer les pièces mobiles. Ralentir le piston aide la butée et les joints toriques à rebondir.

- Une fois que l'outil est réchauffé, réglez à nouveau le régulateur à la pression de fonctionnement correcte et rechargez l'outil.

Les utilisateurs de l'outil qui travaillent dehors ou dans des emplacements non chauds par températures extrêmement froides doivent également :

Utiliser une huile pour outils pneumatiques avec un anti-gel dans le lubrificateur, pièce n° 219090 (236 ml [8 oz])
Une fois par semaine, en fonction de l'utilisation de l'outil, démontez l'outil et lavez la boue avec un nettoyeur pour outils (pièce n° 219348) pour que l'outil continue à fonctionner de manière efficace.

 AVIS 
Ne jamais utiliser de kérosène ou des solvants inflammables pour nettoyer l'outil.

Nettoyer les outils qui fonctionnent à l'air avec des solvants cylindriques et les joints toriques en usine. Pour remplacer cette couche de graisse, utilisez de la graisse Chemplex (pièce n° 403734).

- Ouvrez le purgeur du réservoir du compresseur d'air pour purger toute humidité au moins une fois par jour par temps très froid ou humide. Une petite quantité d'anti-gel dans le réservoir gardera l'air sans givre.

Tester l'outil après une réparation

Après avoir remplacé une ou plusieurs pièces, il est important de vérifier que l'outil fonctionne bien. Ceci assure que l'outil a été réassemblé correctement, est sûr et exécutera les tâches de manière appropriée.

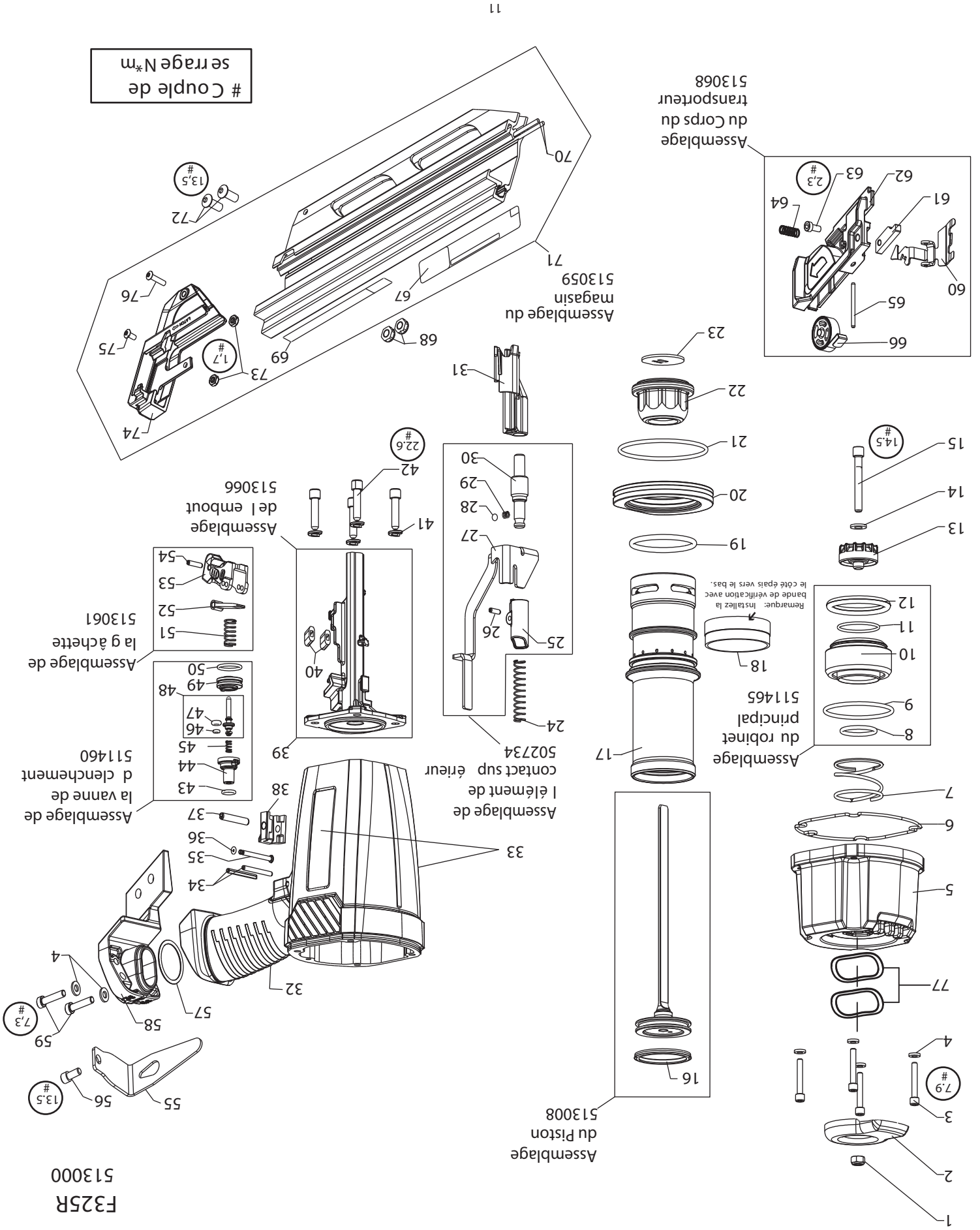
- Assurez-vous que toutes les pièces de quincaillerie sont serrées.
- Assurez-vous que l'élément de contact est installé correctement par rapport à la gâchette et que les deux pièces bougent librement.
- Assurez-vous que le magasin est attaché correctement.
- Assurez-vous que les renseignements de sécurité requis sur l'outil sont lisibles.
- Vérifiez que des attaches Paslode® appropriées dans l'outil et vérifiez qu'elles sont correctes pour l'application.
- Assurez-vous qu'un raccord d'air mâle est connecté à l'outil de manière sécuritaire.
- Testez l'outil en enfonçant les attaches dans une pièce de travail identique à l'application pour laquelle l'outil sera utilisé.
- Vérifiez les fuites d'air de l'outil pendant le test et la séquence correcte du fonctionnement.
- Assurez-vous que toutes les attaches sont enfoncées à la même profondeur et que la couronne des attaches est à la pièce de travail.

Lubrification de l'outil

Il est extrêmement important que l'outil soit lubrifié correctement en gardant le lubrificateur du conduit d'air rempli et réglé correctement. Sans lubrification correcte, l'outil ne fonctionnera pas correctement et les pièces s'useront prématurément. Utilisez le lubrifiant correct dans le lubrificateur des conduites d'air. Le lubrificateur doit être d'un type pour débit d'air faible ou changeant et doit être toujours rempli au niveau correct. Utilisez uniquement les lubrifiants Paslode recommandés. Les substituts peuvent endommager les composants en caoutchouc des joints toriques de l'outil et les autres pièces en caoutchouc. La pièce n° 403720 est une huile lubrifiante pour outils pneumatiques spéciale-ment faite pour les applications pneumatiques. Si un tre/régulateur/lubrificateur n'est pas installé sur le système d'air, les outils qui fonctionnent à l'air doivent être lubrifiés au moins une fois par jour avec 6 à 20 gouttes d'huile, selon l'environnement de travail, directement à travers le raccord mâle du boîtier de l'outil.

La plupart des problèmes mineurs peuvent être résolus rapidement et facilement en utilisant la table d'entretien ci-dessous. Si les problèmes continuent, veuillez contacter votre concessionnaire Paslode® pour une assistance.

F325R
513000



LÉGENDE DES PIÈCES

F325R, 513000

→	511033	1	Écrou, insertion en nylon 1/4 po-28
→	502304	1	Déflecteur d'air
3	511847	4	Vis à chapeau à tête creuse n°10-24 x 2,5 cm (1 po)
4	408302	6	Rondelle plate
→	513093	1	Capuchon supérieur
* 5	511413	1	Joint d'étanchéité pour capuchon supérieur
* 6	513042	1	Ressort de soupape, principal
* 7	201756	1	Joint torique, support
* 8	202398	1	Joint torique, capuchon
* 9	511960	1	Champignon
* 10	539676	1	Joint torique, champignon interne
* 11	511876	1	Joint torique, champignon externe
* 12	511719	1	Joint d'évacuation
13	1011802	1	Rondelle plate
14	511799	1	Vis à chapeau à tête creuse 1/4-28 x 3,9 cm
15	511424	1	Joint torique, OR-224-70L
16	511409	1	Manchon
* 17	502310	1	Bande de clapet anti-retour
* 18	511970	1	Joint torique, bride interne
* 19	511407	1	Bride de manchon
* 20	511447	1	Joint torique, bride externe
* 21	513076	1	Butée
* 22	511585	1	Joint de la lame de déclenchement
* 23	502055	1	Ressort de compression
24	502500	1	Corps d'encliquetage
25	404361	1	Goupille cylindrique 3 mm x 1,3 cm (x 1/2 po)
26	502046	1	Élément de contact supérieur
27	502049	1	Encliquetage à bille
28	502061	1	Ressort de compression
29	502036	1	Mollette
30	502047	1	Élément de contact inférieur
31	513002	1	Boîtier avec prise
32	502058	2	Étiquette de boîtier
33	502333	2	Goupille cylindrique de 3 mm x 3,8 cm (1/8 x 1 1/2 po)
34	502324	1	Tenon de détente
35	502042	1	Joint torique
* 36	511713	1	Goupille cylindrique de 4,7 mm x 3,4 cm (3/16 x 1 3/8 po)
37	502033	1	Guide de l'élément de contact
38	513066	1	Embout avec isolateurs
39	502014	2	Isolateur de magasin
40	002187	4	Rondelle de blocage 64 mm (1/4 po)
41	511714	4	Vis à chapeau à tête creuse 1/4-20 x 2,2 cm (7/8 po)
* 42	511714	4	Vis à chapeau à tête creuse 1/4-20 x 2,2 cm (7/8 po)
* 43	197913	1	Joint torique
44	502044	1	Bobine supérieure de la vanne de déclenchement
45	502059	1	Ressort de compression
* 46	196345	1	Joint torique
* 47	1015358	1	Joint torique
48	511446	1	Goupille de soupape
49	502043	1	Bobine inférieure de la vanne de déclenchement
* 50	092747	1	Joint torique
51	502060	1	Ressort de compression
52	502040	1	Levier de déclenchement
53	511145	1	Gâchette bi-mode
54	091866	1	Goupille cylindrique 3 mm x 1,9 cm (1/8 x 3/4 po)
55	513032	1	Crochet pour chevron
56	502345	1	Vis à chapeau à tête creuse 5/16-18 x 1,5 cm (5/8 po)
* 57	402963	1	Joint torique
58	513005	1	Bouchon terminal
59	502336	2	Vis à chapeau à tête creuse n°10-24 x 2,5 cm (1 po)
60	502019	1	Pince de transporteur
61	502021	1	Barre de verrouillage
62	511118	1	Corps du transporteur
63	500627	1	Vis à chapeau à tête creuse 8-32 x 1,3 cm (1/2 po)
64	502020	1	Ressort de compression
65	403796	1	Goupille cylindrique 3 mm x 3,1 cm (1/8 x 1 1/4 po)
* 66	511196	1	Ensemble tambour à ressort de rappel
** 67	513092	1	Étiquette d'avertissement
68	442681	2	Contre-écrou 1/4-20
69	502193	1	Étiquette de réglage du fonctionnement
70	513016	2	Barres d'usure du magasin
71	513059	1	Assemblage du magasin
72	502017	2	Vis bouton 1/4-20 x 1,9 cm (3/4 po)
73	404325	2	Écrou d'arrêt 8-32
74	502029	1	Capuchon d'extrémité du magasin
75	502031	1	Vis bouton n°8-32 x 1,3 cm (1/2 po)
76	502038	1	Vis bouton n°8-32 x 2,5 cm (1 po)
77	502343	2	Rondelle ondulée

CONSIGNES DE SÉCURITÉ

PORTEZ UNE PROTECTION POUR LES YEUX ET LES OREILLES



Portez toujours des articles de protection des oreilles et des yeux, y compris des écrans latéraux lorsque vous utilisez ou travaillez à proximité d'un outil.

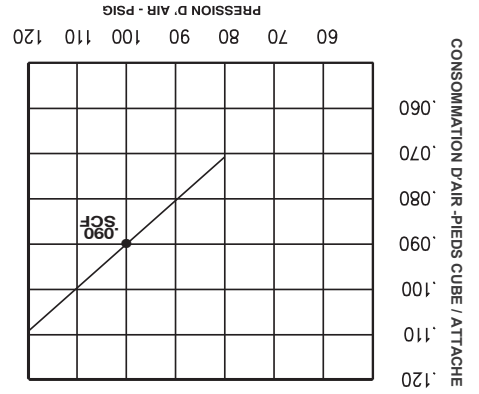


NE DÉPASSEZ PAS LA PRESSION D'AIR MAXIMUM RECOMMANDÉE

Ne dépassez pas la pression d'air maximum indiquée sur l'outil. Veillez à ce que le manomètre à air fonctionne correctement et vérifiez-le au moins deux fois par jour.

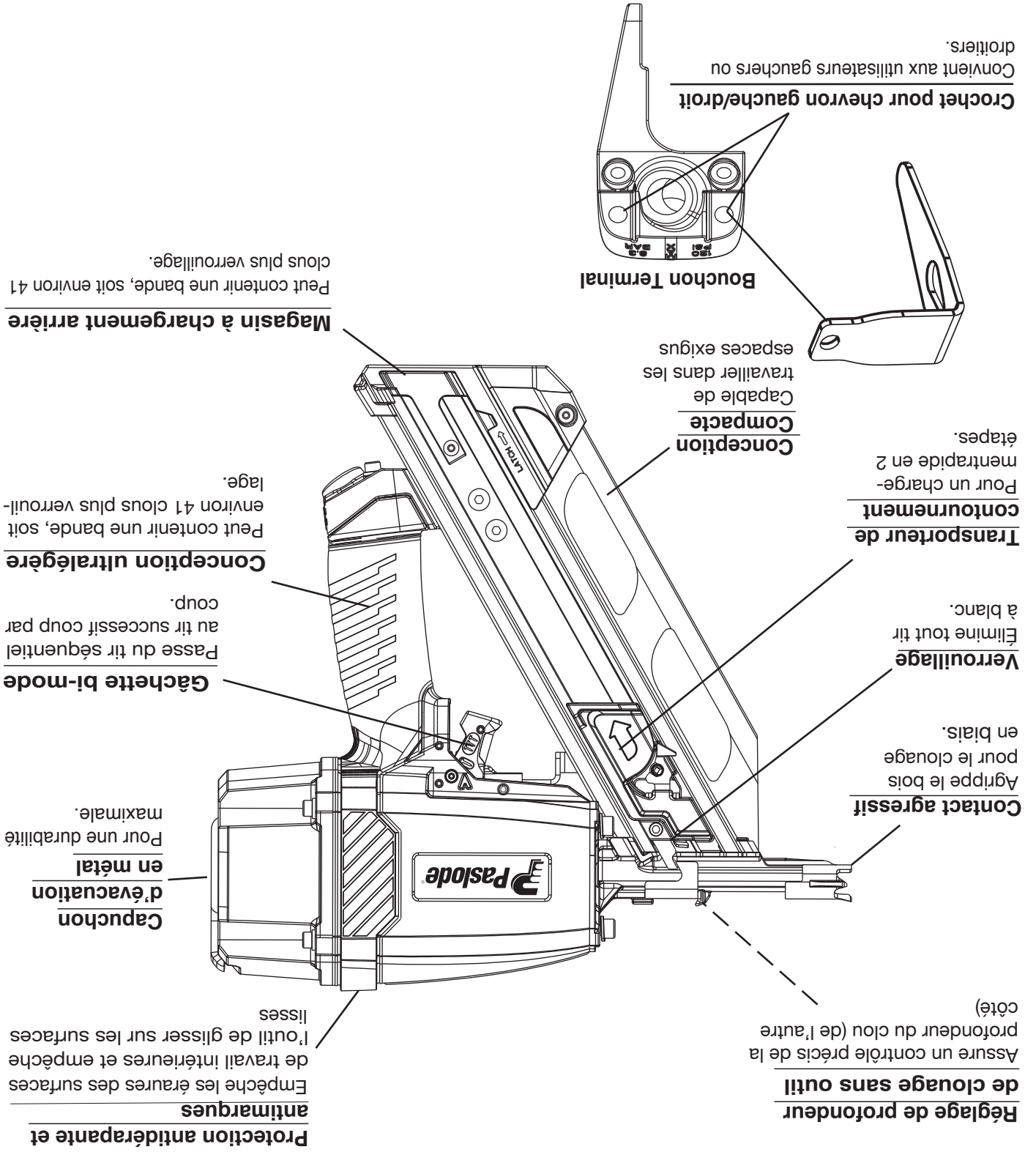


N'utilisez jamais d'air ou de gaz en bouteille, tel que l'oxygène pour utiliser l'appareil puisque ces gaz en bouteille peuvent faire exploser l'outil.



* Indique les articles à usure normale.
 ** Assurez-vous que l'étiquette d'avertissement (513092) est posée correctement. Remplacez au besoin.
 → Indique une nouvelle modification

CARACTÉRISTIQUES ET AVANTAGES DU MODÈLE F325R



SYSTÈMES À AIR - continuation

Calculer la grandeur du compresseur

Utiliser le diagramme de consommation d'air dans le schéma de l'outil pour chaque outil lorsque l'on calcule les besoins opérationnels pour les outils. Les outils Paslode sont conçus pour opérer efficacement entre 80 et 120 lb/po² et ne devraient jamais être opérés à des pressions qui dépassent 120 lb/po².

Le diagramme de consommation d'air vous aidera à trouver la bonne capacité de compresseur pour votre application qui serait en mesure de rapidement réalimenter la pression d'air nécessaire à vos outils. Afin d'utiliser le diagramme, vous devez savoir combien d'outils seront utilisés et le nombre approximatif des attaches enfoncées par minute pour chaque outil sur le réseau.

Utilisant cette équation :

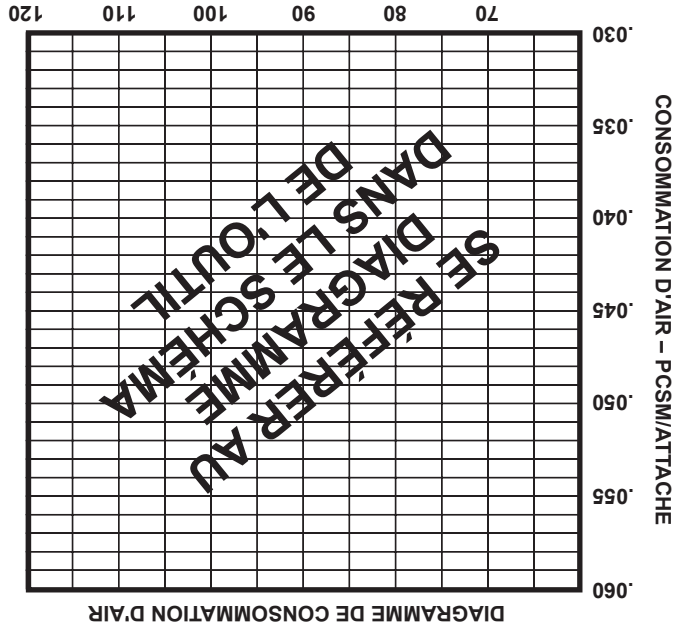
Nombre d'outils X moyenne du nombre d'attaches/minute/outil X 1.2 (facteur sécuritaire) X consommation d'air (pcsm) @ la pression* (lb/po²) = Pied Cube Standard par Minute (pcsm) requis.

Vous pouvez utiliser l'exemple suivant :

10 outils X 30 attaches/minute/outil X 1.2 X 0.051 pcsm (@ 100 lb/po²) = 18.36 pcsm.

*Ce nombre peut être trouvé dans le diagramme de consommation d'air.

Dans cet exemple, en utilisant le diagramme de consommation d'air nous découvrirons qu'un compresseur avec une capacité minimum de 19 pcsm d'air est requis. Puisque dans les normes de compresseurs une moyenne de 1 HP est requise pour produire 4 pcsm, un compresseur de 5 HP est donc requis.



Calculer la tuyauterie requise

Par exemple, en se basant sur le fait qu'un compresseur électrique de 20 HP donne à peu près 80 pcm d'air à 120 lb/po² et que la ligne principale est de 3/50 pi, nous constatons par le diagramme que le diamètre minimum requis pour la ligne principale pour cette application est de 1 1/4 po.

VOLUME D'AIR (PCM)	DIAMÈTRE NOMINAL DE TUYAUX (po)			
	50-200	200-500	500-1000	1000-2500 2500-5000
30-60	1	1	1	1
60-100	1	1	1	2
100-200	1	1	2	2
200-500	2	3	3	3
500-1000	2	3	4	4

Entretien du système pneumatique - S'assurer que :

- Que les raccords pneumatiques soient bien serrés et qu'il n'y a pas de fuites.
- Que les drains d'eau, filtres et lignes à air soient purgés tous les jours, et/ou s'assurer que les systèmes de drains automatiques fonctionnent adéquatement.
- Que les lignes à air soient nettoyées pour éviter le gel, surtout en hiver.
- Que le bon fonctionnement du lubrificateur soit vérifié régulièrement et qu'il soit bien approvisionné en lubrifiant (numéro de pièce Paslode 403720)
- Que l'élément de filtreur soit nettoyé tous les six mois.
- Que l'on n'utilise que de l'air régularisé et que chaque régulateur fonctionne adéquatement.

SYSTÈMES À AIR

Pour que les outils à air fonctionnent à leur pleine capacité, la ligne à air doit être installée et maintenue proprement. Un graphique dans cette section illustre un système à air adéquatement installé. Des listes de vérification pratiques qui visent l'installation et l'entretien suivent.

Systeme à air à l'intérieur – Assurez-vous de ce qui suit :

- Que toute la tuyauterie qui achemine l'air soit d'un diamètre interne assez grand pour assurer une source d'air suffisante.
- Que la ligne principale ait une pente à la baisse en s'éloignant du compresseur (1/16 pouce au pied) Que des réservoirs à air d'appoint soient installés sur les longues lignes principales.

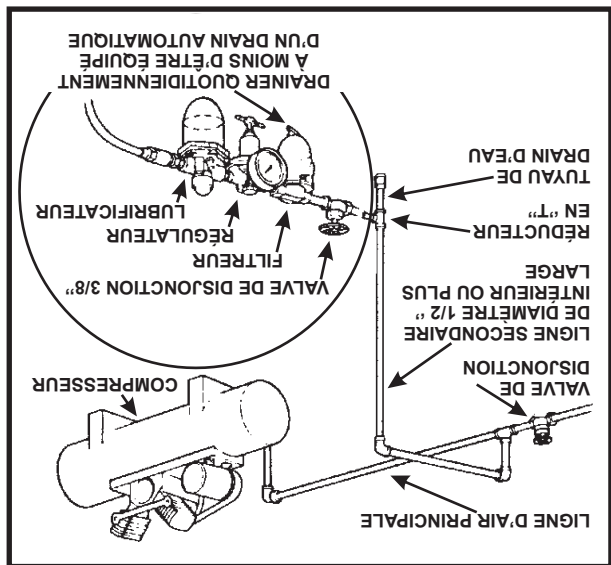
- Que les sorties des lignes secondaires soient sur le dessus de la ligne principale.
- Que des vannes de disjonction soient installées pour chaque ligne secondaire du système.

- Que des tuyaux de drain se prolongent au bas de chaque ligne secondaire.
- Qu'un séchoir de type réfrigérant soit installé sur le système.

- Que les lignes à air soient le plus courtes que pratiquement possible.
- Qu'un programme d'entretien régulier soit mis en place et suivi.

Systeme à air à l'extérieur – Assurez-vous de ce qui suit :

- Qu'un purgeur de condensation et un filtre/régulateur/lubrificateur soient installés au compresseur.
- Que les tuyaux et raccords soient d'un diamètre tel que le flot d'air ne soit pas restreint. Le diamètre minimum pour les tuyaux est de 3/8 pouce de diamètre interne et de 1/2 pouce de diamètre externe pour les applications qui dépassent 25 pieds.



Les unités de filtre/régulateur/lubrificateurs qui peuvent fournir un approvisionnement et une protection adéquate pour les outils Paslode doivent rencontrer les spécifications suivantes :

- Diamètre de passage d'un minimum de 3/8 pouce NPT.
- Filtreurs d'un minimum de 50 microns ou plus fins.
- Pression d'air régularisée entre 0 et 120 lb/po2.
- Lubrificateurs conçus pour un débit d'air bas ou fluctuant.

Unités de filtre/régulateur/lubrificateur

- Que les lignes à air ne dépassent pas 150 pieds.
- Que le système à air soit lubrifié régulièrement
- Qu'un programme d'entretien régulier soit mis en place et suivi.

OPÉRATION DE L'OUTIL

continuation

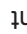

Chargement des clous

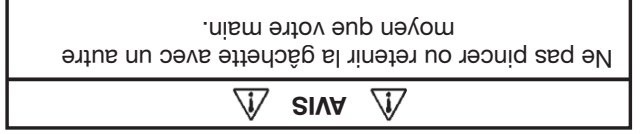
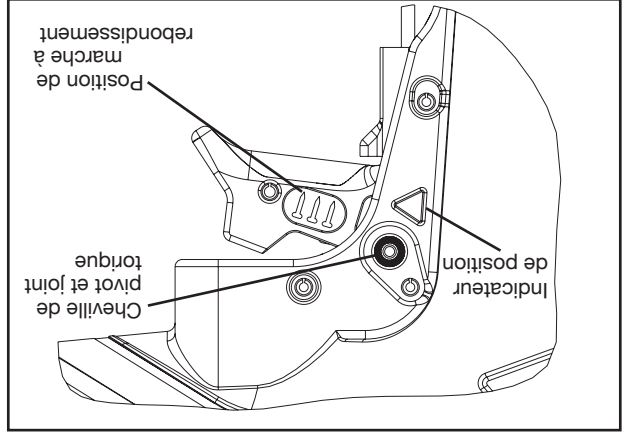
Étape 1 – Tenir le manche fermement.

Étape 2 – Insérer une ou deux bandes de clous par l'arrière du magasin.

Étape 3 – Tirer le transporteur vers l'arrière du magasin jusqu'à ce qu'il s'enclenche derrière les clous.

Commuation de la gâchette

L'outil est équipé d'une gâchette qui peut être commutée entre une position de marche à rebondissement ou une position de marche séquentielle durant la fabrication. Pour commuter la gâchette vers la position de marche à rebondissement, enlever le joint torique et la cheville de pivot de l'ensemble de la gâchette. Placer la gâchette en position de marche à rebondissement et réinstaller la cheville de pivot et le joint torique. L'indicateur de position  sur l'outil devrait maintenant pointer vers le  tel que démontré dans l'illustration.



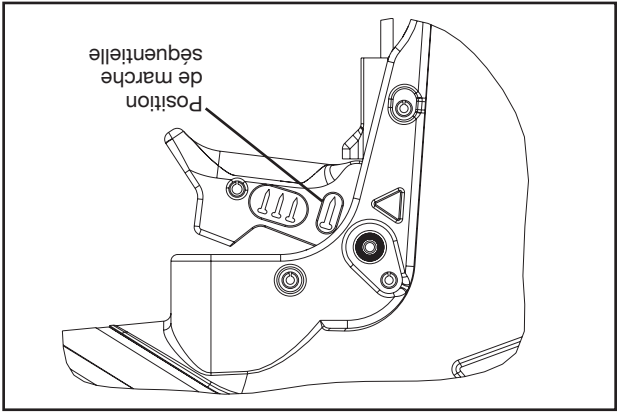
AVIS

Opération séquentielle

Le nécessaire d'opération séquentielle évite des insertions successives ou à "rebondissement".

□ Appuyer en poussant l'élément de pointe de contact et le garder en position sur la surface de travail avant de tirer la gâchette.

□ Après avoir enfoncé chaque attache, relâcher complètement la gâchette et soulever l'outil de la surface de travail.



Enfoncement de précision

□ Tenir la poignée de l'outil fermement et placer l'élément de pointe de contact de travail contre la pièce jusqu'à ce qu'elle soit complètement enfoncée.

□ Tirer sur la gâchette pour enfoncer l'attache.

□ Soulever l'outil de la surface de travail.

□ Répéter le procédé pour l'attache suivante.

Enfoncement successif (rebondissement)

□ Tenir la poignée de l'outil fermement



□ Tirer sur la gâchette et repositionner l'outil sur la

surface de travail en un mouvement de rebondissement, en enfonçant l'élément de pointe de contact aux endroits où vous voulez insérer une attache.

□ Garder la gâchette enfoncée et continuer de faire rebondir l'élément de pointe de contact contre la pièce de travail en plaçant l'outil de façon la plus sécuritaire possible.

□ Après avoir fini d'enfoncer le nombre de clous voulus, relâcher la gâchette de l'outil afin d'éviter de projeter une attache par inadvertance.

INSTALLATION DE L'OUTIL

 DANGER 
La pression d'air de l'outil ne doit jamais dépasser 120 lb/poz.

Votre outil Paslode est prêt à être utilisé immédiatement et peut être installé en suivant ces étapes :

1. SÉCURITÉ – Tous les opérateurs de l'outil ainsi que leurs superviseurs immédiats doivent se familiariser avec les instructions de sécurité du manuel de l'opérateur avant d'opérer l'outil. Les instructions se trouvent à la page 4 de ce manuel.

2. Une copie de ce manuel de sécurité et d'entretien ainsi qu'une copie de schéma de l'outil accompagnent chaque outil. Garder ces instructions pour pouvoir vous y référer au besoin. Une carte pour l'enregistrement de l'acquisition est aussi incluse. Cette carte doit être complétée et immédiatement envoyée à Paslode pour enregistrer cette acquisition à votre nom.

3. Le couvercle de plastique de l'entrée d'air de l'outil doit être enlevé avant que le raccord mâle ne soit installé. Le raccord doit être du type mâle et pneu-matique et qui permet à la pression d'air de se dissiper de l'outil lorsque la ligne d'air est désaccouplée.



4. Installer une unité de lubrification/filtration/régulation, ayant une gauge aussi près que possible de l'outil, de préférence en dedans de dix pieds. Veuillez vous rapporter à la section Systèmes à Air de ce manuel pour les besoins en tuyaux à air et longueurs. En général, aucune autre installation spéciale n'est requise.

5. Si l'opérateur travaille à un banc ou une table, il est préférable de faire passer la ligne à air sous le banc. Un petit plateau sous le banc pourrait servir à remiser les attaches et l'outil lorsque non utilisés.

6. Si cet outil ne fonctionne pas lorsqu'il est accouplé pour la première fois, n'essayez pas de le réparer, contactez votre représentant Paslode immédiatement.

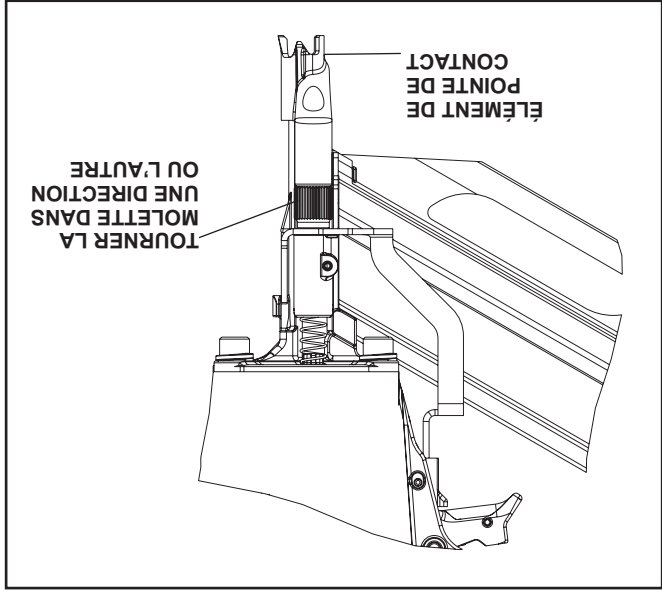
OPÉRATION DE L'OUTIL

AJUSTEMENT DE PROFONDEUR DE PÉNÉTRATION (Sur les outils équipés de cette caractéristique)

 AVIS 
Garder l'outil pointé dans une direction sécuritaire. Désaccoupler de la source d'air et enlever toutes les attaches.

L'ajustement de profondeur de pénétration se fait en tournant la molette de l'élément de pointe de contact. Si l'outil donne une sur pénétration (la tête de l'attache est enfoncée plus bas que la surface de travail), l'élément de pointe de contact devrait être abaissé. Si l'attache dépasse la surface de travail (la tête n'est pas à fleur de surface de la surface de travail), l'élément de pointe de contact devrait être haussé.

Ajuster l'élément de pointe de contact pour satisfaire les profondeurs de pénétration requises.



INSTRUCTIONS SUR LA SÉCURITÉ

LA SÉCURITÉ AVANT TOUT

Ces instructions se rapportant à la sécurité donnent l'information nécessaire pour manipuler les outils Paslode en toute sécurité. **NE PAS ESSAYER D'OPÉRER L'OUTIL AVANT D'AVOIR LU ET COMPRIS TOUTES LES PRÉCAUTIONS À PRENDRE ET LES INSTRUCTIONS DU MANUEL.**

PORTER DE L'ÉQUIPEMENT DE PROTECTION POUR LES YEUX ET L'ŒUÏE.

Toujours porter de l'équipement de protection pour les yeux et l'œuïe qui se conforme aux normes ANSI Z87+ lors de l'opération de l'outil ou à proximité. En tant qu'employeur, il en est de votre responsabilité de vous assurer du port de l'équipement de protection. Porter des casques de sécurité lorsque nécessaire.



L'OUTIL NE DOIT ÊTRE UTILISÉ QUE POUR SON USAGE PRÉVU.

Ne pas jeter l'outil à terre, frapper le boîtier de quelque façon que ce soit ou utiliser l'outil comme marteau pour enfoncer la pièce en place.

NE JAMAIS INITIER DES JEUX BRUTAUX AVEC L'OUTIL.

Cet outil n'est pas un jouet donc ne pas l'utiliser comme tel. Ne jamais initier des jeux brutaux avec l'outil ou le pointer vers vous ou toute autre personne, même si vous croyez que l'outil n'est pas chargé.

NE JAMAIS PRÉSUMER QUE L'OUTIL EST VIDE.

Vérifiez le magasin pour des attaches qui pourraient y rester. Même si vous croyez que l'outil est vide ou est désaccouplé, ne jamais le pointer vers vous ou vers une autre personne. L'outil pourrait décharger des attaches non remarquées.

NE JAMAIS PINGER LA GÂCHETTE EN POSITION BARRÉE OU OPÉRATIONNELLE.

Ne jamais modifier, mettre hors service ou pincer la gâchette de l'outil en position barrée ou opérationnelle, puisque ceci permettrait à l'outil d'enfoncer une attache, n'importe quand, lorsque l'élément de pointe de contact touche la pièce de travail.

NE PAS CHARGER LES ATTACHES LORSQUE LA SOURCE D'AIR EST ACCOUPÉE, LA GÂCHETTE EST PRESSEE OU L'ÉLÉMENT DE POINTE DE CONTACT TOUCHE LA PIÈCE DE TRAVAIL.

Assurez-vous d'avoir désaccouplé l'entrée d'air et que la gâchette et la pointe de contact ne sont pas pressées lorsque vous rechargez l'outil.

N'OPÉREZ L'OUTIL QUE SUR UNE SURFACE DE TRAVAIL.

L'outil ne devrait être opéré que lorsqu'il est en contact avec la pièce de travail. Même dans cette situation, doublez de précaution avec les pièces de travail minces, ou près des bords et dans les coins, puisque les attaches pourraient traverser ou faire ricochet de la pièce de travail.



NE PAS ENLEVER OU METTRE HORS SERVICE L'ÉLÉMENT DE POINTE DE CONTACT.

L'outil est équipé d'un mécanisme de sécurité, l'élément de pointe de contact, afin de prévenir la décharge accidentelle. Ne jamais modifier, enlever ou mettre hors service l'élément de pointe de contact. Ne pas utiliser l'outil à moins que l'élément de pointe de contact ne fonctionne proprement. L'outil pourrait se décharger accidentellement.

AVIS
Le manque à suivre n'importe laquelle des instructions ci-haut mentionnées pourrait résulter en des blessures sérieuses à l'utilisateur et tierces personnes et pourrait endommager l'outil et autres biens.

Communiquez avec votre représentant Paslode pour une présentation du Programme de Sensibilisation sur la Sécurité de Paslode.

DÉSACCOUPLER L'OUTIL LORSQUE REMISE

Toujours désaccoupler l'outil de la source d'air lorsqu'il est remisé, lorsque vous quittez le chantier de travail ou que vous transportez l'outil vers un autre endroit. L'outil ne doit jamais être laissé sans surveillance, puisque de tierces personnes, non familières avec son fonctionnement pourraient le manipuler et causer des blessures.

NE TRANSPORTER L'OUTIL QUE PAR SA POIGNÉE

Toujours transporter l'outil uniquement par sa poignée. Ne jamais transporter l'outil par le tuyau d'air ou avec la gâchette pressée puisque vous pourriez décharger l'outil accidentellement et vous blesser ou blesser une autre personne.



NE PAS AFFAIBLIR LE BOÏTIER DE L'OUTIL.

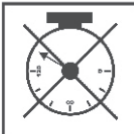
Le boîtier de l'outil est un conduit de pression et ne devrait jamais être affaibli en faisant graver ou poinçonner le nom de votre entreprise, lieu de travail ou toute autre information sur sa surface.

DÉSACCOUPLER L'OUTIL LORS DE L'ENTRETIEN OU DES DÉBLOCCAGES.

Ne jamais tenter de débloquer ou de réparer l'outil avant de désaccoupler l'outil de la source d'air et d'enlever toutes attaches de l'outil.

TOUJOURS UTILISER LE BON RACCORD POUR L'OUTIL.

N'utiliser que les raccords MALES de type pneumatique pour l'outil, afin que la haute pression d'air dans l'outil puisse se dissiper dans l'atmosphère dès que la ligne à air est désaccouplée. Ne JAMAIS installer des raccords FEMELLES à désaccouplément rapide sur l'outil. Les raccords femelles retiennent la haute pression d'air dans l'outil lorsque la source d'air est désaccouplée, laissant ainsi l'outil chargé et capable d'enfoncer une attache.



NE JAMAIS DÉPASSER LA PRESSION D'AIR MAXIMUM RECOMMANDÉE.

N'opérer l'outil que dans les limites de pressions recommandées. Ne pas dépasser la pression d'air indiquée sur l'outil. Assurez-vous que la jauge de pression fonctionne adéquatement et en vérifier le bon fonctionnement au moins deux fois par jour.



Ne jamais utiliser de l'air comprimé ou autre gaz en bouteille tel que de l'oxygène pour faire fonctionner l'outil, ceci pourrait faire exploser l'outil. Ne pas faire fonctionner dans des atmosphères explosives.

INSPECTER L'OUTIL POUR SON BON FONCTIONNEMENT.

Nettoyer l'outil tous les jours et le lubrifier au besoin. Ne jamais opérer un outil sale ou qui ne fonctionne pas bien.

N'UTILISER QUE LES PIÈCES ET ATTACHES PASLODE RECOMMANDÉES.

N'utiliser que les pièces et les attaches spécifiquement conçues et recommandées par Paslode pour l'outil et pour le travail à accomplir. L'utilisation de pièces et attaches non autorisées ou toute modification de l'outil créent des situations dangereuses. Remplacez toutes les étiquettes d'avis – reportez vous au schéma de l'outil pour l'emplacement et le numéro de pièce.

CARACTÉRISTIQUES DE L'OUTIL ET ATTACHES

CARACTÉRISTIQUES DE L'OUTIL

MODÈLE N°	F325R (Pièce n°513000)
HAUTEUR	32,7 cm (12,9 po)
LARGEUR	10,9 cm (4,3 po)
LONGUEUR	31,2 cm (12,3 po)
POIDS	3 kg (7 lb)
PRESSION DE FONCTIONNEMENT	6,2 à 8,3 bars (90 à 120 p.s.i.)
TYPE DE MAGASIN	30 degrés, à une seule bande

CARACTÉRISTIQUES DES ATTACHES

LONGUEUR DES CLOUS	5 cm à 8,2 cm (2 po à 3¼ po)
DIAMÈTRE DE LA TIGE	2,8 mm à 3,3 mm (0,113 à 0,131 po)

RACCORDS À AIR DE L'OUTIL :

Cet outil utilise un raccord mâle de 3/8 po N.P.T. Le raccord doit pouvoir libérer la pression d'air de l'outil lorsqu'il est débranché de l'alimentation en air.

PRESSION D'AIR DE FONCTIONNEMENT :

6,2 à 8,3 bars (90 à 120 p.s.i.). Choisissez une pression d'air de fonctionnement comprise dans cette plage pour obtenir le meilleur rendement de l'outil. NE DÉPASSEZ PAS CETTE PRESSION DE FONCTIONNEMENT RECOMMANDÉE.

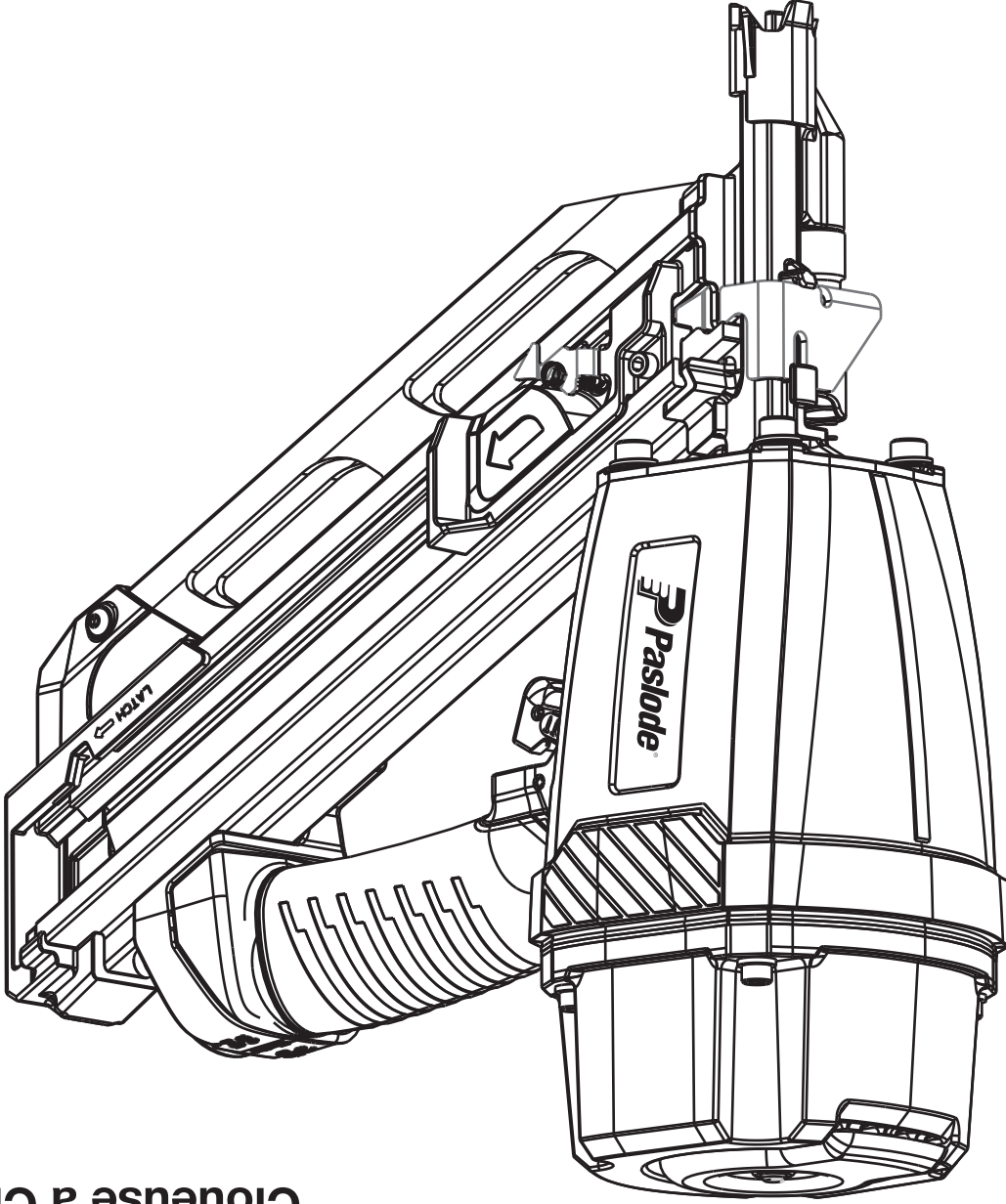
INTRODUCTION

La clouuse à charpente pour rénovation modèle F325R de Paslode® est un outil de qualité conçu pour être utilisé pour les travaux de charpentes résidentielles. Cet outil fournira un rendement efficace et fiable s'il est utilisé conformément aux instructions du fabricant. Veuillez étudier ce mode d'emploi y compris les consignes de sécurité pour bien comprendre le fonctionnement de cet outil.

3	CARACTÉRISTIQUES DE L'OUTIL ET ATTACHES
4	CONSIGNES DE SÉCURITÉ
5-6	INSTALLATION ET UTILISATION DE L'OUTIL
7-8	SYSTÈME D'AIR
9	CARACTÉRISTIQUES ET AVANTAGES
10-11	VUE ÉCLATÉE ET LISTE DES PIÈCES DE RECHANGE
12-13	ENTRETIEN
14	DÉPANNAGE
15	GARANTIE
16	ACCESSOIRES

IMPORTANT!
NE DÉTRUISEZ PAS
Il incombe au client de s'assurer que tous les
utilisateurs et le personnel d'entretien et de
réparation lisent et comprennent ce guide.

**MODE D'EMPLOI ET
SCHEMAS**



Clouuse à Charpente

MODELE F325R

