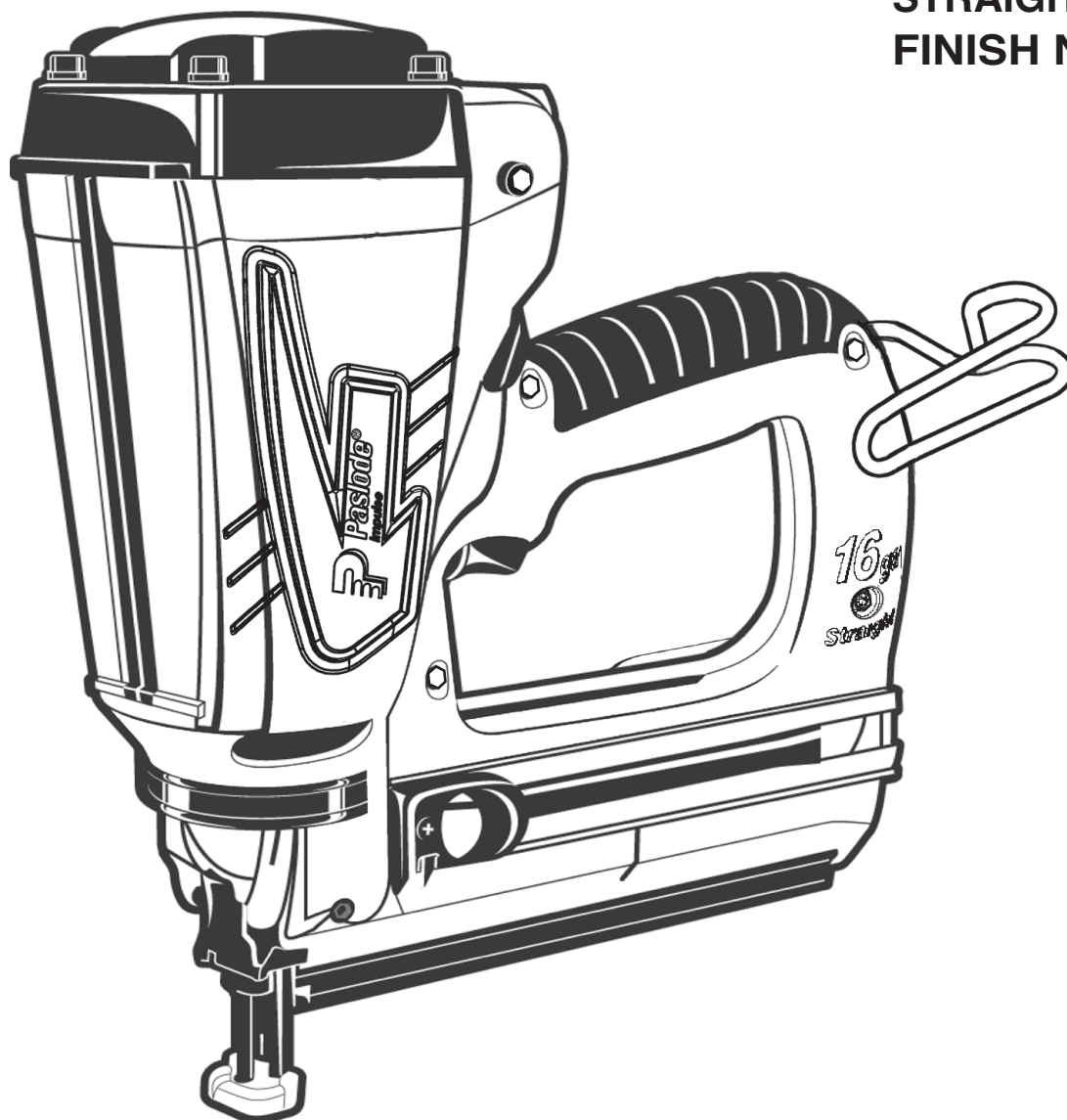




Part No. 916000

Model IM250S Li
STRAIGHT 16Ga.
FINISH NAILER



IMPORTANT!

DO NOT DESTROY

Always refer to operating manual for detailed information on this tool. It is the customer's responsibility to have all operators and service personnel read and understand this information.

TOOL SCHEMATIC AND PARTS

PARTS LEGEND

Cordless 16 Ga. Lithium-Ion Straight Finish Nailer, 916000

1	904555	1	Grille	50	903601	1	Handle/Right
* 2	900648	1	Filter	51	902230	1	Pin-Fuel Door
3	901064	4	Shoulder Screw 8-32 x 1-3/8"	52	904544	1	Dosing Lever
4	902446	1	Cap	53	904550	1	Fuel Door
■ 5	904557	2	Screw, SHC (yellow)	54	902235	1	Retaining Ring-Fuel Door
6	901119	1	Retaining Ring	55	902434	1	Nut-Utility Hook
7	901382	1	Fan Motor Assembly with Ring	56	902433	1	Button
* 8	401356	1	Motor Sleeve	57	902431	1	Block-Utility Hook
9	900785	1	Insulator	58	902432	1	Spring
*10	900714	1	Spark Plug Assembly	59	902435	1	Stop Utility Hook
11	904504	1	Cylinder Head	60	902430	1	Utility Hook
12	904517	1	Fuel Barb	61	901044	1	Soft Grip
*13	904546	1	Fuel Tube	62	902440	1	Spark Unit (MSU)
14	902406	1	Fuel Block	63	900662	1	ESU Power Wire Assembly
15	904521	1	Pivot Arm	64	904562	1	Fan Motor Wire Assembly
16	900596	1	SEMS Screw, Torx	65	916004	1	Nameplate
17	900739	1	Cylinder Head Circuit Board Assy.	66	902621	1	Battery Pad
*18	900612	4	Seal Ring	67	902439	1	Molded Circuit Assembly
19	900709	1	Fan Assembly	68	900726	1	Switch Slide Assembly
20	900700	1	Air Dam	■ 69	900792	2	Soc. Hd. Shoulder Screw (yellow)
21	900729	1	Combustion Chamber	70	404702	2	Screw 6-32 x 3/8'
22	900707	2	Probe Bumper	71	904567	1	Spark Wire Assembly
23	900746	2	Screw, #8-32 x 7/16	72	901053	1	Trigger Spring
24	900704	1	Yoke	73	901082	1	Trigger and Spring Assembly
25	900734	1	Roll Pin	74	901047	1	Dowel Pin, Trigger
26	900804	2	Spring Guide Assembly	75	900629	1	Clip/ High Tension
27	902437	1	Knob w/ Yoke Guide Assembly	76	902007	1	Brad Channel
▲28	903603	1	Probe	77	902033	1	Magazine Extrusion
*29	900702	1	Probe Tip	78	902001	1	Nose
30	900688	1	Latch Cover, Quick Clear	79	900631	1	Spring, Lockout
31	900619	1	Dowel Pin	80	900602	1	Lockout Bar
32	902047	1	Front Plate	81	900630	1	Lockout Pin
33	900685	1	Dowel Pin	82	900660	2	Screw 10-32 x 3/8"
34	900786	1	Quick Clear Lever Assembly	83	900692	1	Retaining Cup
■35	405140	4	Screw 8-32 x 3/8" (red)	■ 84	900708	2	SHC Screw 8-32 x 1/2" (Red)
36	900668	1	Muffler Cover	■ 85	900754	1	SHC Screw 8-32 x 1/2" (Yellow)
37	900609	1	Muffler	86	900722	1	Follower Pin
38	900664	1	Reed Valve	87	902002	1	Follower
39	900665	1	Reed Plate	88	900691	1	Compression Spring
40	901089	1	Exhaust Baffle	89	900627	1	Negator Spring
* 41	900616	1	Exhaust O-Ring	90	900720	1	Follower Core
42	403099	1	Retaining Ring	91	902008	1	Follower Body
43	403098	1	Piston Ring	92	900724	1	Screw, Plastite 8-16 x 5/8"
*44	900728	1	Piston Assembly	93	901066	4	Screw, Plastite 8-16 x 3/4"
*45	900680	1	Piston Bumper	94	916001	1	Logo Label "Right Side"
46	902402	1	Label, Li-Ion+Fuel	95	916002	1	Logo Label "Left Side"
** 47	916003	1	Warning & Instruction Label	96	903602	1	Handle, Left
48	902416	1	Depth of Drive Indicator Label	97	902456	1	Cylinder Sleeve Assembly
49	900620	1	Front Channel				

* Indicates normal wear items

** Make sure Warning Label (916003) is properly affixed replace if necessary.

→ Denotes New Change

▲ Apply Grease Part No. 900767 to Threads.

■ Apply Loctite

SAFETY INSTRUCTIONS

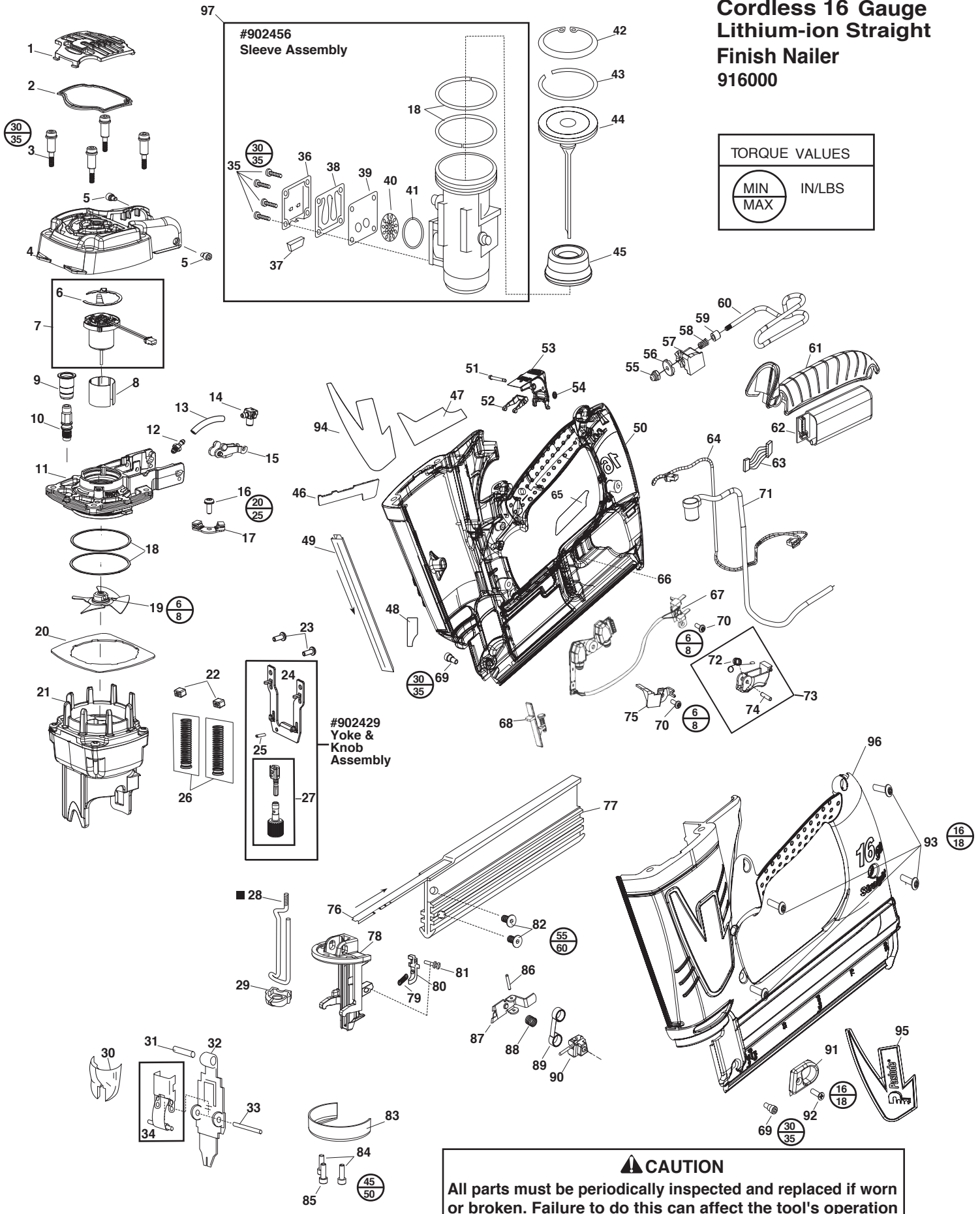
WEAR EYE AND HEARING PROTECTION



Always wear eye and hearing protection when operating a nail tool.

Cordless 16 Gauge Lithium-ion Straight Finish Nailer 916000

TORQUE VALUES	
MIN	IN/LBS
MAX	



CAUTION
All parts must be periodically inspected and replaced if worn or broken. Failure to do this can affect the tool's operation and present a safety hazard.

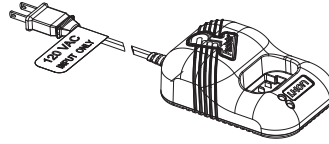
ACCESSORIES

Battery



Part No. 902654

Battery Charger



Part No. 902667

9/64" Hex Key



For cleaning tool.

Part No. 900736

Clear Safety Glasses



Part No. 401382

Tool Cleaner



Ideal cleaner for all Paslode® tools.

Part No. 219348

Paslode Cordless Lubricating Oil



Specially formulated for use in Paslode® Cordless tools.

Part No. 401482

Carrying Case



Part No. 902445

"NO MAR TIP (Li-Ion Straight)16 GA"

3 pack

Contains 3 of #900702 tips conveniently packaged in a reusable plastic box.

Part No. 219236

For technical support call 1-800-222-6990.

For factory direct Paslode replacement parts and service go to:

www.paslode.com/partsandservice.html

 **Paslode**[®]
An Illinois Tool Works Company
888 Forest Edge Drive
Vernon Hills, Illinois 60061
www.paslode.com